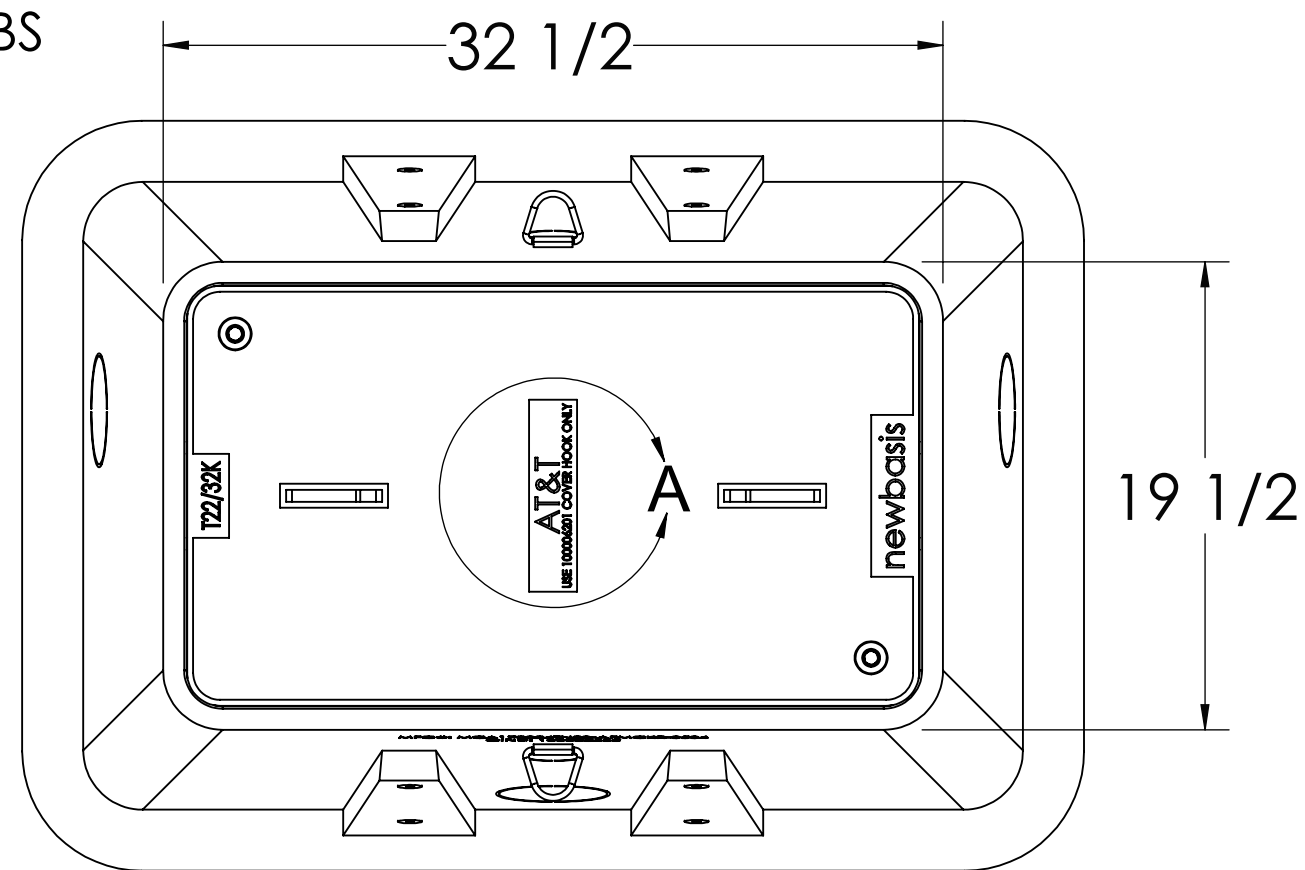
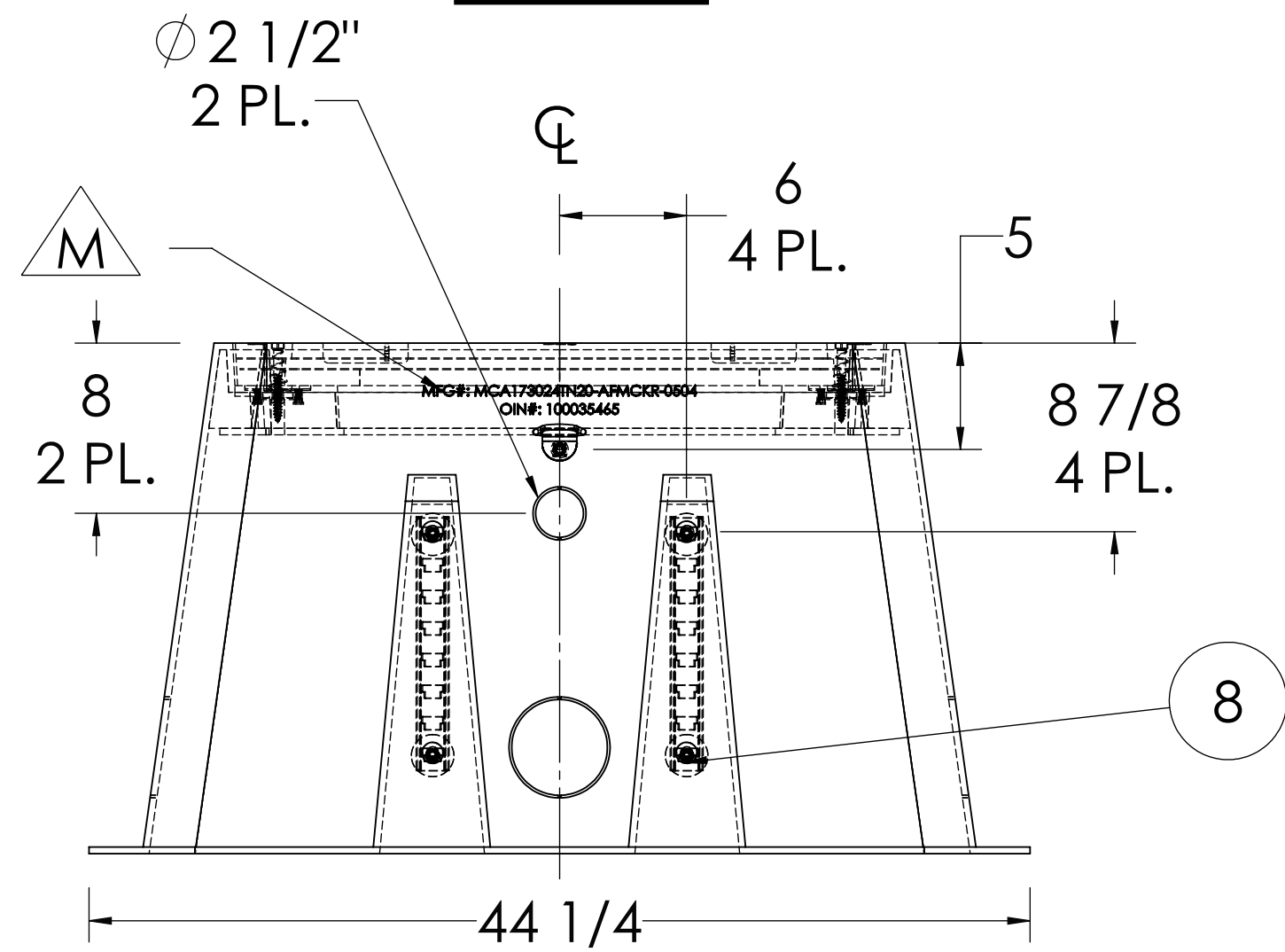


NOTES (UNLESS OTHERWISE SPECIFIED):

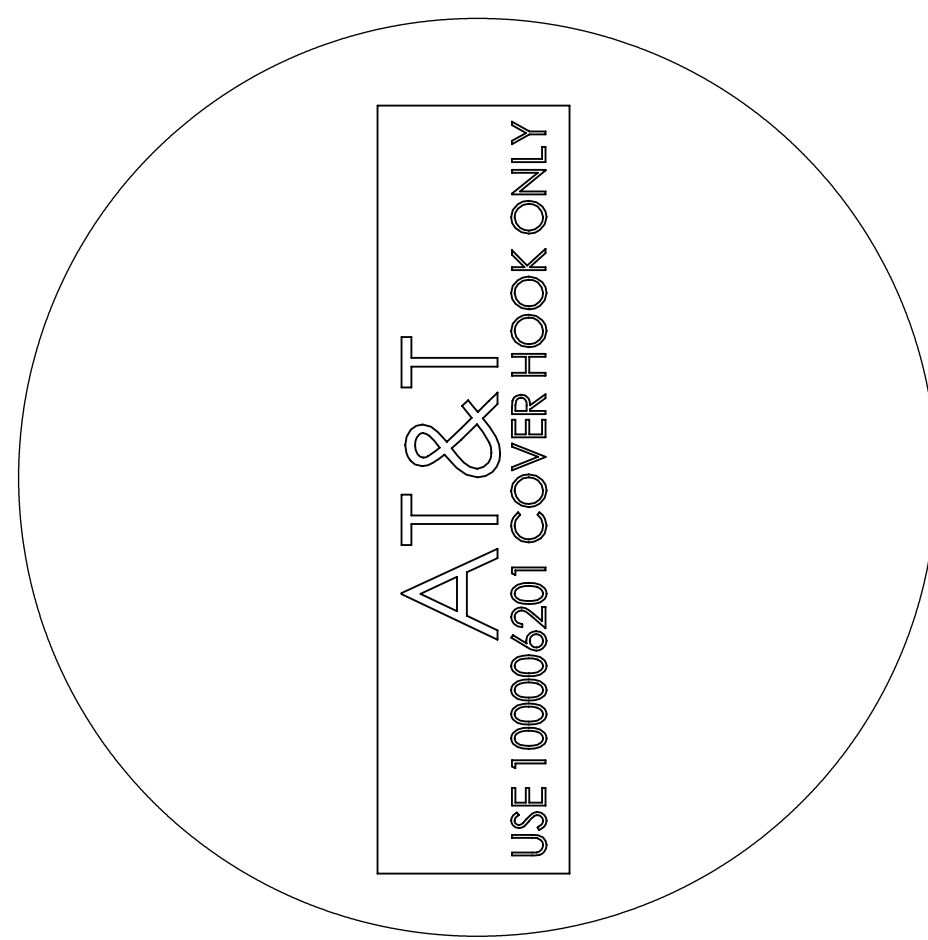
- A. FIBERGLASS/POLYMER CONCRETE ASSEMBLY
- B. TAPERED SIDES
- C. NO FLOOR
- D. ANSI / SCTE 77 - T22
- E. WUC 3.6
- F. 3/8" CAPTIVE SS AUGER HEX BOLTS
- G. ONE PIECE COVER, SKID RESISTANT COVER
- H. TELEPHONE EMS EMBEDDED IN COVER
- I. FOUR RACKS (TWO EA. SIDE)
- J. THREE ϕ 4 3/4" KNOCKOUTS (ONE EA. END, ONE ON SIDE)
- K. TWO ϕ 2 1/2" KNOCKOUTS (ONE EA. SIDE)
- L. CUSTOM NAMEPLATE (**AT&T USE 100006201 COVER HOOK ONLY**) CAST-IN
- M. STAMP ASSY/OIN PART NUMBER AS SHOWN
- N. ASSEMBLY WEIGHT: 162 LBS \pm 5%
 - COVER WEIGHT: 62 LBS
 - BOX WEIGHT: 100 LBS



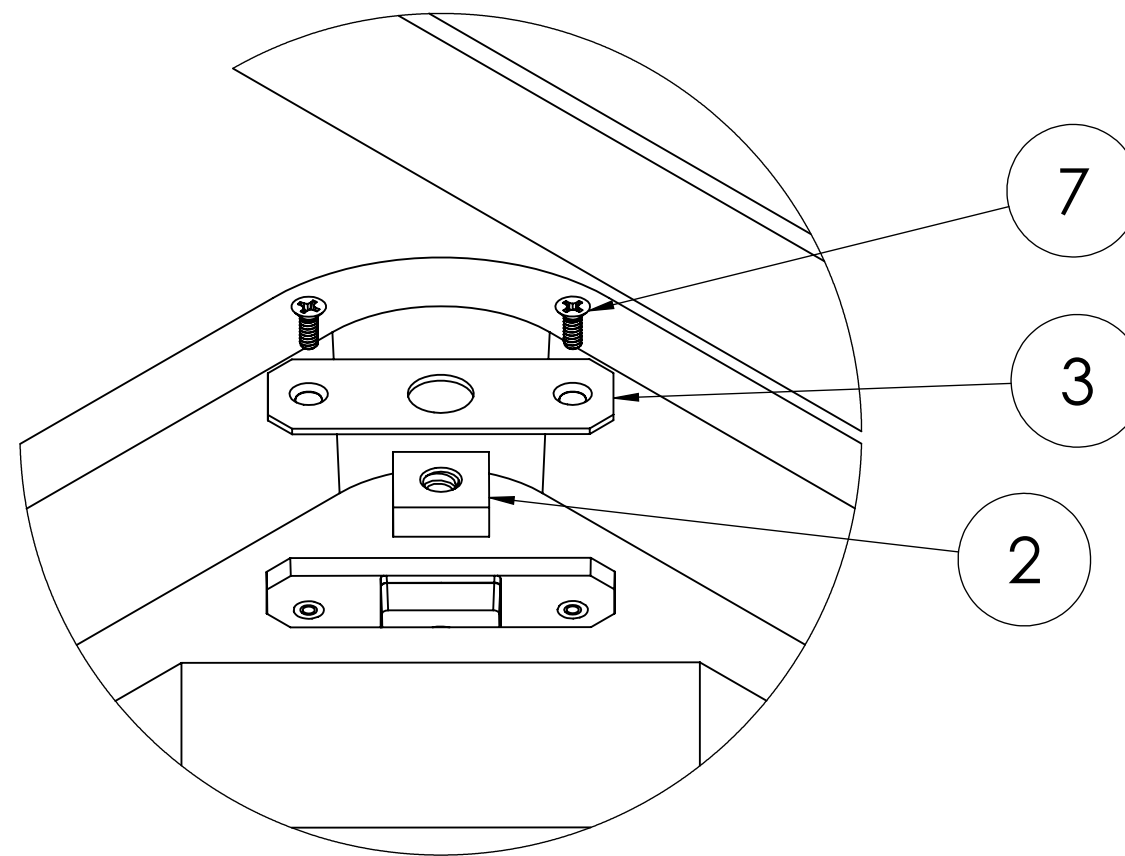
TOP VIEW



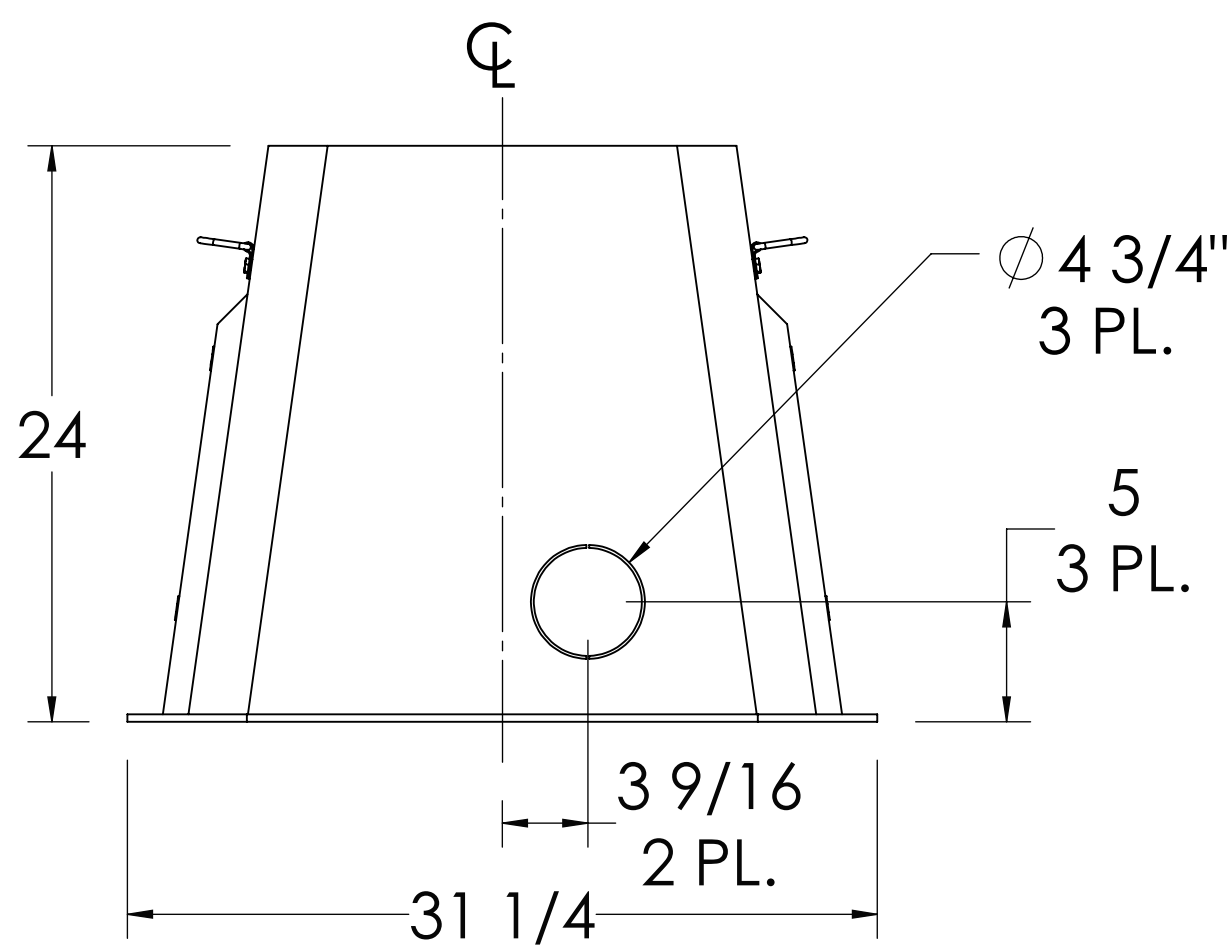
SIDE VIEW



**DETAIL A
SCALE 1:2**



**DETAIL B
SCALE 1:2**



END VIEW

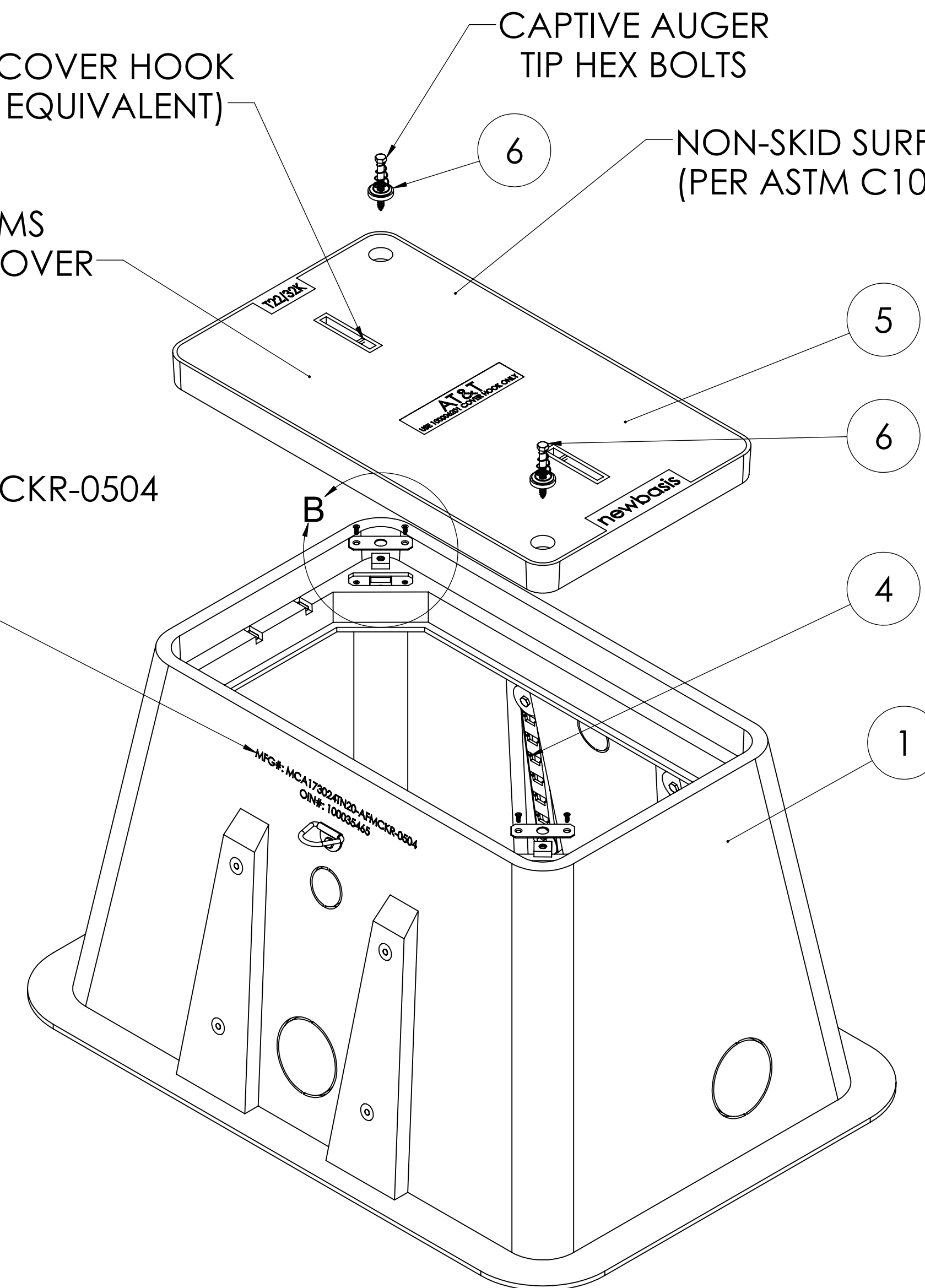
LIFT PIN FOR HANDHOLE COVER HOOK
(NEWBASIS P/N: 0701 OR EQUIVALENT)

TELEPHONE EMS
EMBEDDED IN COVER

CUSTOM STENCIL
MFG#: MCA173024TN32-AFMCKR-0504
OIN#: 100035465

CAPTIVE AUGER
TIP HEX BOLTS

NON-SKID SURFACE
(PER ASTM C1028)



ISO VIEW

ITEM NO.	PART NUMBER	DESCRIPTION	QTY.
1	MCB173024TN32-0504	MONOLITHIC BOX	1
2	0137L	STEEL AUGER NUT	2
3	NB-PLATE	NUT PLATE	2
4	KITRACK08I	RACKS	4
5	PCC1730A1CT22-0026T	PC COV	1
6	KITBLTHEXATS-35	AUGER TIP HEX KIT	2
7	0246	Flat Head Screw	4
8	0107	HEX CAP	4

newbasis

2626 Kansas Avenue
Riverside, California 92507
951.787.0600
newbasis.com



UNLESS OTHERWISE SPECIFIED:
DIMENSIONS ARE IN INCHES
TOLERANCES:
FRACTIONAL MOLDED: \pm 1/16
FRACTIONAL FABRICATED: \pm 1/8
ANGULAR: \pm 0.5°
ONE PLACE DECIMAL: \pm .1
TWO PLACE DECIMAL: \pm .03
THREE PLACE DECIMAL: \pm .003
INTERPRET GEOMETRIC TOLERANCING PER: ASME Y14.5

NAME	DATE
DRAWN JS	4/8/2024
APPROVED	
MATERIAL: FRP/PC3000	

newbasis 2626 Kansas Ave.
Riverside, CA 92507
(951)787-0600
newbasis.com

PART NO.
MCA173024TN32-AFMCKR-0504

DESCRIPTION:
FIBERGLASS/POLYMER CONCRETE ASSY