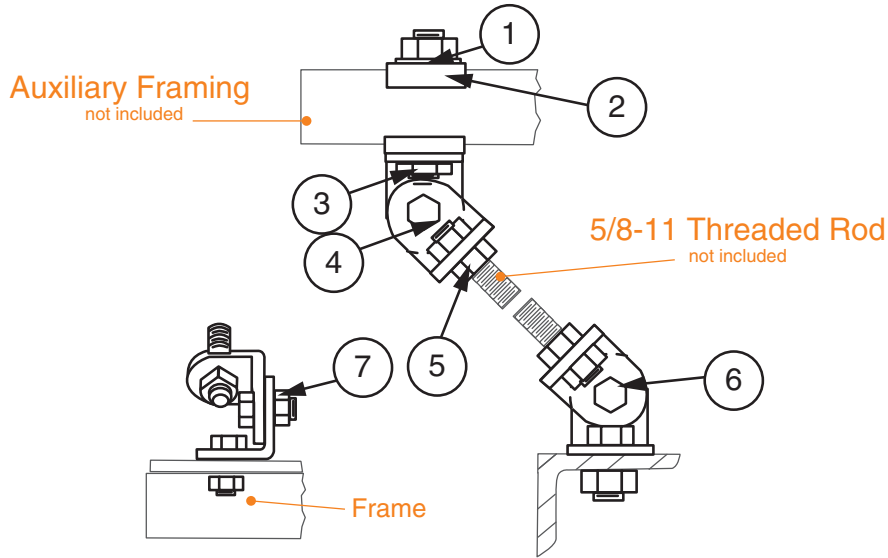


BRACING FRAME FROM PARALLEL AUXILIARY FRAMING

Modified:07/01/2014



Ordering Table

Part Number	Aux
00104100xx	Bar
00104101xx	Channel

Stock List

Item	QTY	Description
1	1	5/8 Lock Washer
2	2	Clip
3	1	5/8-11 HHCS
4	4	Bracket
5	5	5/8-11 Nut
6	3	1/2"-13 HHCS
7	3	1/2-13 Nut

Notes:

- Finish is zinc plated and gold chromate.
- Not included; refer to 001021 or 001022.
- Not included; refer to 003022.