

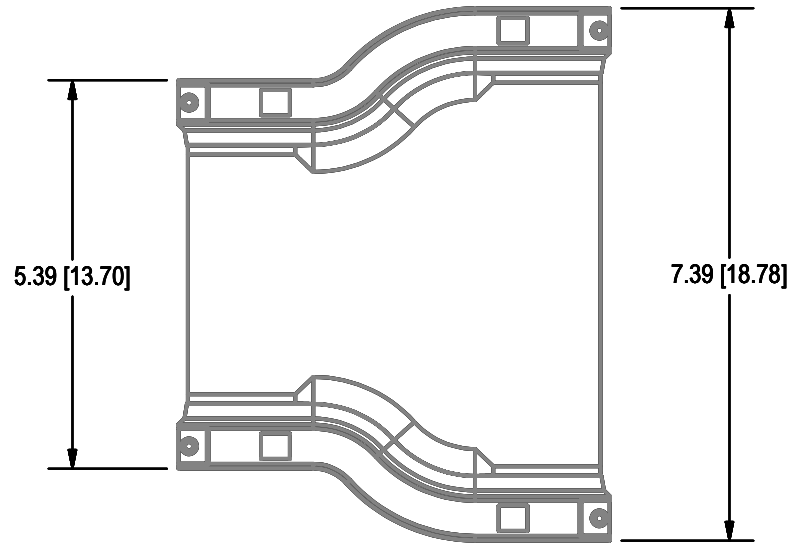
REV	ECO	DESCRIPTION	DATE	BY
-----	-----	-------------	------	----

NOTES: (UNLESS OTHERWISE SPECIFIED.)

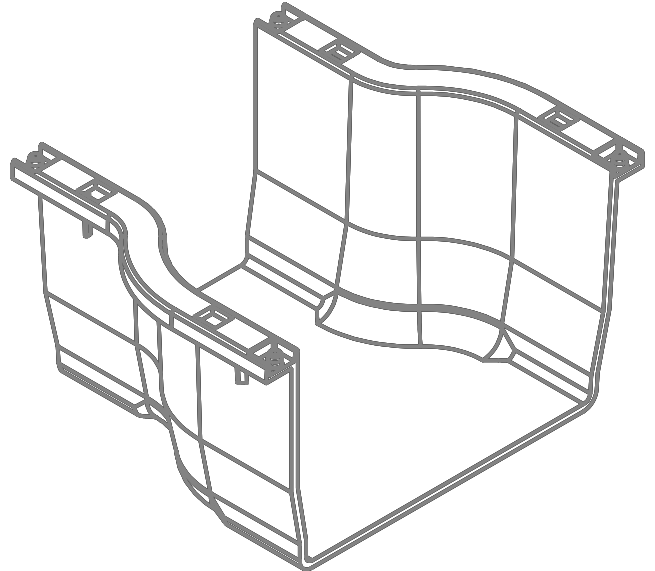
1. DIMENSIONS ARE IN INCHES [CENTIMETERS].

2. DIMENSIONS ARE FOR REFERENCE ONLY.

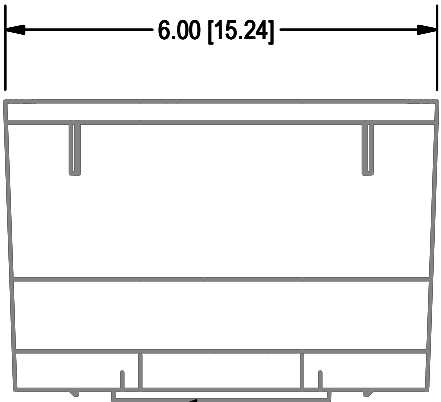
Ⓜ CUSTOMER PART NUMBER MOLDED INTO THIS SURFACE.



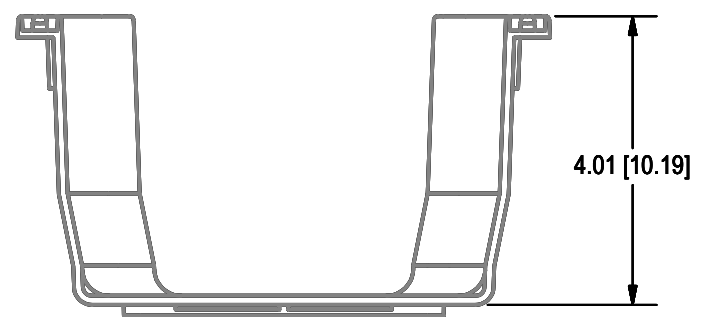
TOP VIEW



ISOMETRIC VIEW



Ⓜ **FRONT VIEW**



SIDE VIEW

DESIGNED BY T. THOM	DATE 03/13/2000	Telect® CONNECTING THE FUTURE		N 2111 Molter Road PO Box 665 Liberty Lake, Washington 99019 (509) 926-6000	
DRAWN BY T. TURPIN	DATE 06/07/2000	TITLE CUSTOMER DRAWING			
NOT FOR REPRODUCTION COPYRIGHT: 2000 This document contains proprietary information that is property of TELECT, INC., Spokane, Washington. It is intended for the exclusive use of our customer for information, installation, and/or service. The recipient agrees not to reproduce or copy this document or its contents in whole or in part without prior written permission from TELECT, INC. This document must be returned promptly if no longer needed or upon written request from TELECT, INC.		K64-K44,CMS,IN-LINE REDUCER			
DRAWING NO 027-2000-6450			SHEET SIZE B	ISSUE A	
	PROJECT 4045	SCALE 0.375 : 1.0	SHEET 1 OF 1	REV 0	