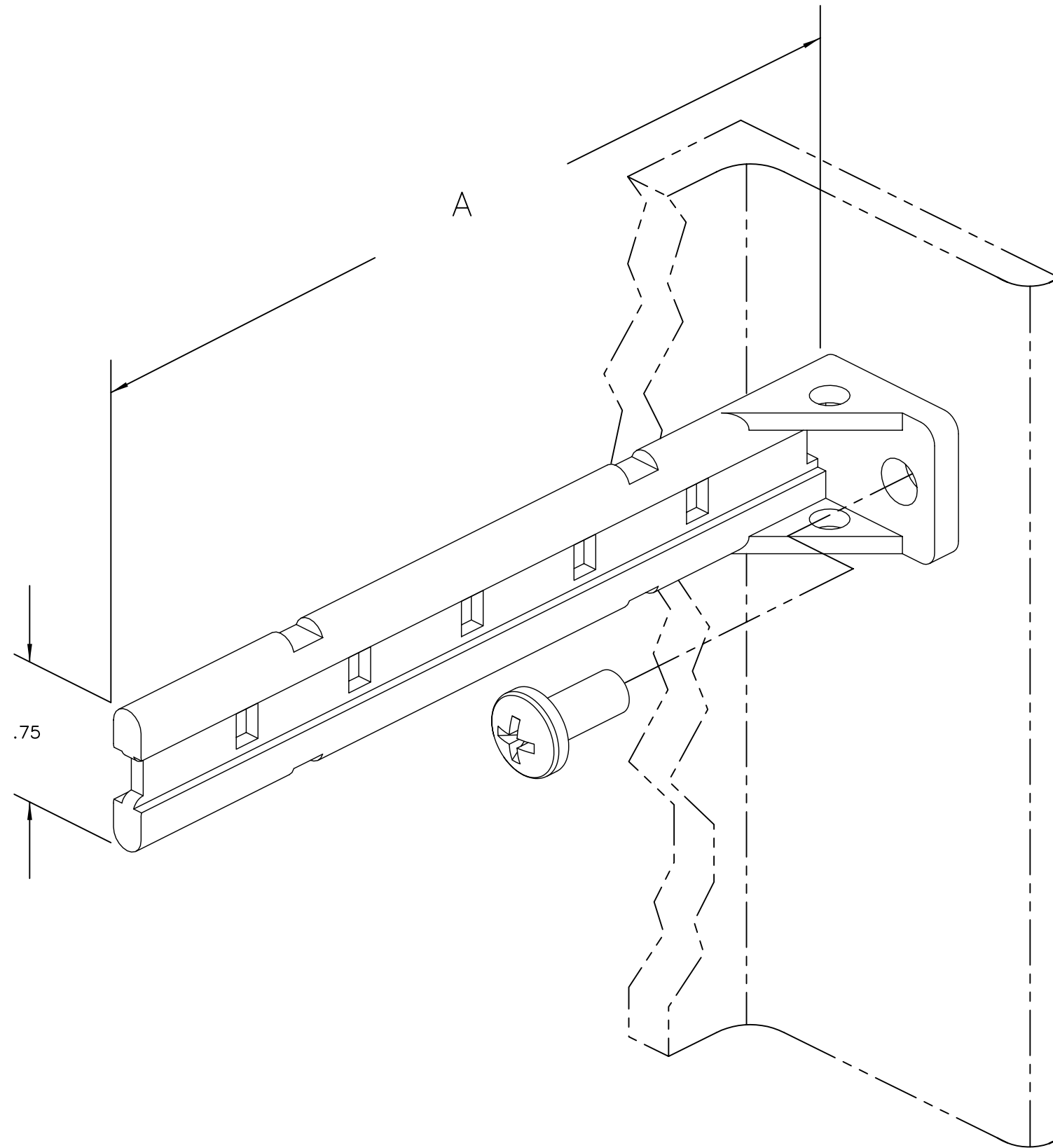


NOTES: (UNLESS OTHERWISE SPECIFIED)

1. DIMENSIONS ARE IN INCHES.
2. DIMENSIONS ARE FOR REFERENCE ONLY.
3. STANDARD FEATURES:
MOUNTING HARDWARE



PART NO	DIMENSIONS	
	A	TYPE
-01 *	4.63	nylon
-02 *	1.25	nylon

* TELECT STANDARD

DESIGNED BY	DATE	Telect [®] N 1730 Madson Street PO Box 665 Liberty Lake, Washington 99019 (509) 926-6000 <small>CONNECTING THE FUTURE</small>		
DRAWN BY R. BURNHAM	DATE 03/24/05			
NOT FOR REPRODUCTION COPYRIGHT 2005		TITLE CUSTOMER DRAWING CABLE TIE BRACKET		
<small>This document contains proprietary information that is property of TELECT, INC., Spokane, Washington. It is intended for the exclusive use of our customer for information, installation, and/or service. The recipient agrees not to reproduce or copy this document or its contents in whole or in part without prior written permission from TELECT, INC. This document must be returned promptly if no longer needed or upon written request from TELECT, INC.</small>		PART NO 02107-XX-100	SHEET SIZE B	ISSUE A
		PROJECT R002	SCALE NTS	SHEET 1 of 1