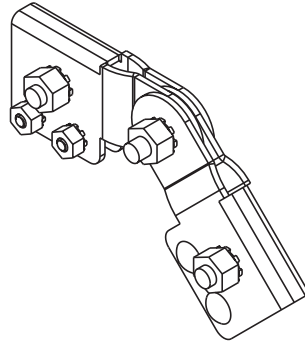
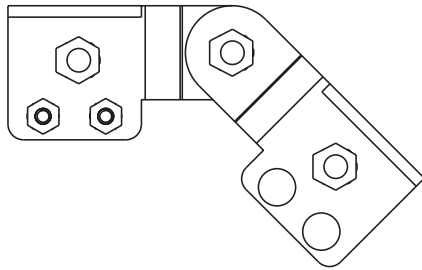
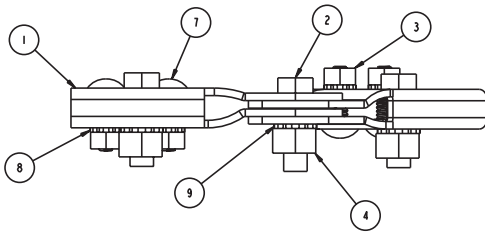


INLINE PIVOT CLAMP ASSEMBLY (SET)

Modified:11/04/2009



	part number	sidebar
Ordering	2217730110	1-1/2"
	2217730210	2"

	Item	Qty	Description
Stock List	1	4	pivot clamp
	2	6	3/8"-16 x 1-1/4" hhcs
	3	8	1/4"-20 hhn
	4	6	3/8"-16 hex nut
	5	8	1/4" lock washer
	6	6	3/8" lock washer
	7	8	carriage bolt 1/4"-20 x 1"
	8	8	1/4" external tooth washer
	9	6	3/8" external tooth washer

Note:

- adjustable up to 180°