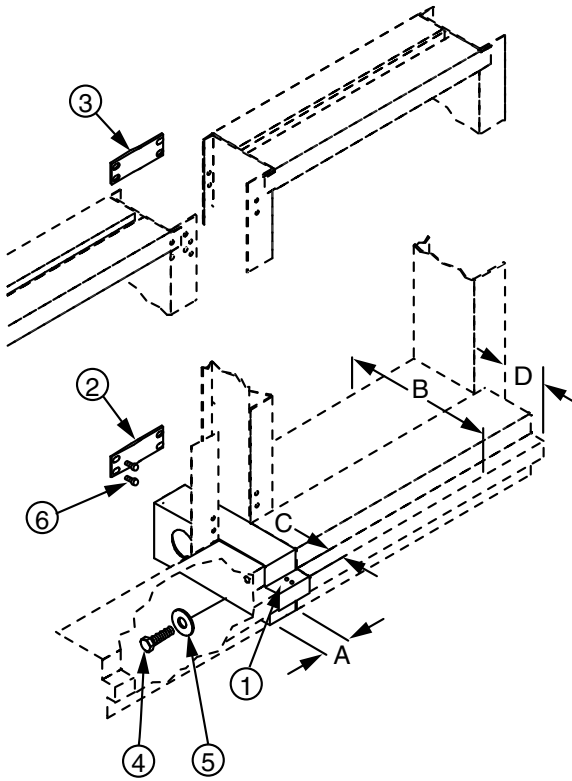


**UNIVERSAL UFER, SPACER JUNCTION KIT WITH FRONT GUARD RAIL**

Modified:08/17/2009



	part number	A	B	C	D
<b>Ordering</b>	00432600xx	2-1/2"	10"	1"	5"
	00432700xx	2-1/2"	11"	2"	6"
	00432800xx	5"	10"	1"	5"
	00432900xx	5"	11"	2"	6"

	Item	Qty	Description
<b>Stock List</b>	1	1	2-1/2" x 10" spacer box
	2	4	junction plate
	3	1	junction clip
	4	2	3/8-16 x 7/8" hhcs
	5	2	3/8 flat washer
	6	16	12-24 x 1/4" phms

**Notes:**

- Xx= finish code; standard finish, xx= 31.
- This junction kit to be used with universal unequal flange equipment rack when network bay configuration is required.