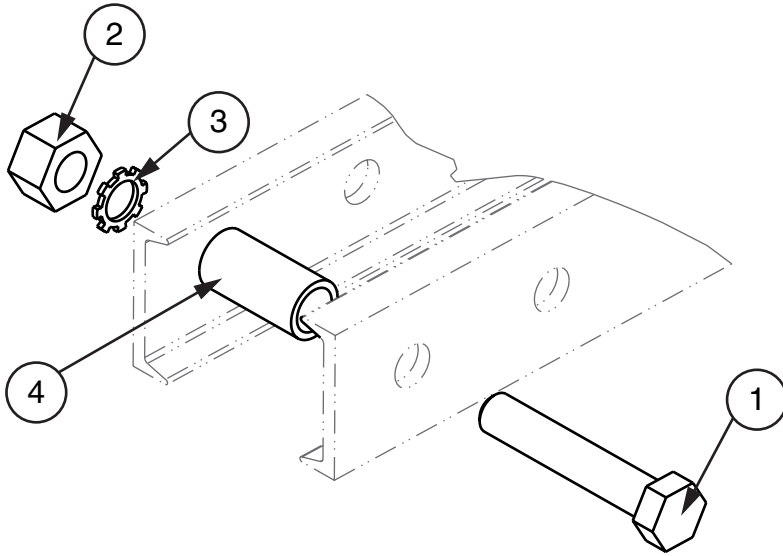


**AUXILLIARY FRAMING SPACER**

Modified:07/16/2014



**Ordering Table**

Part Number	Hardware
22014001xx	1/2"
22014002xx	3/8"

**Stock List**

Item	QTY	Description
1	1	Hex Head Cap Screw
2	1	Hex Nut
3	1	External Tooth Lock Washer
4	1	Tube Spacer