

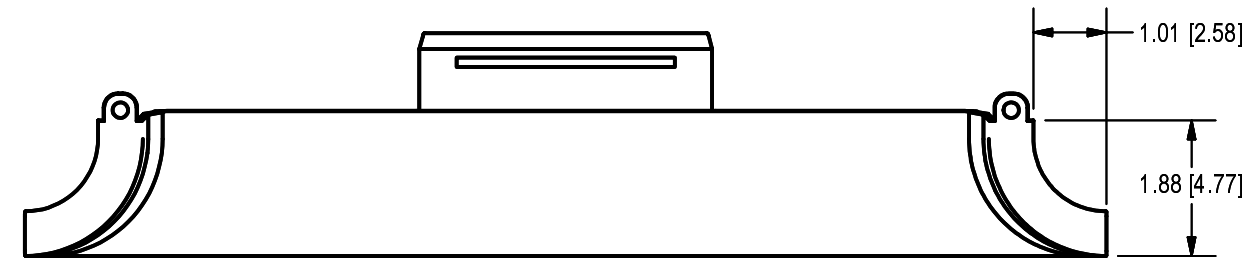
REV	ECO	DESCRIPTION	DATE	BY
-----	-----	-------------	------	----

NOTES: (UNLESS OTHERWISE SPECIFIED.)

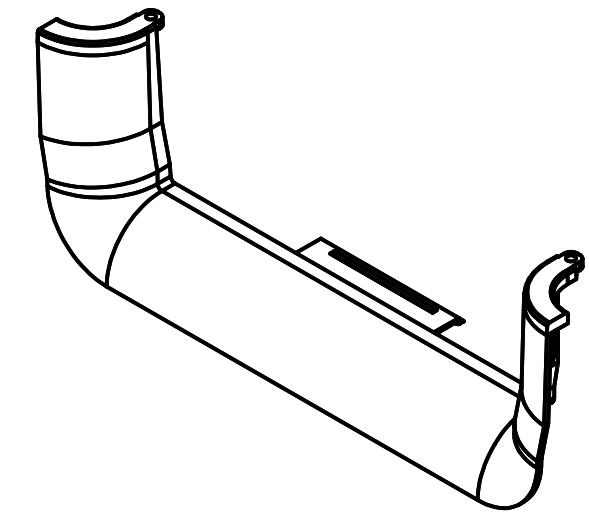
1. DIMENSIONS ARE IN INCHES [CENTIMETERS].

2. DIMENSIONS ARE FOR REFERENCE ONLY.

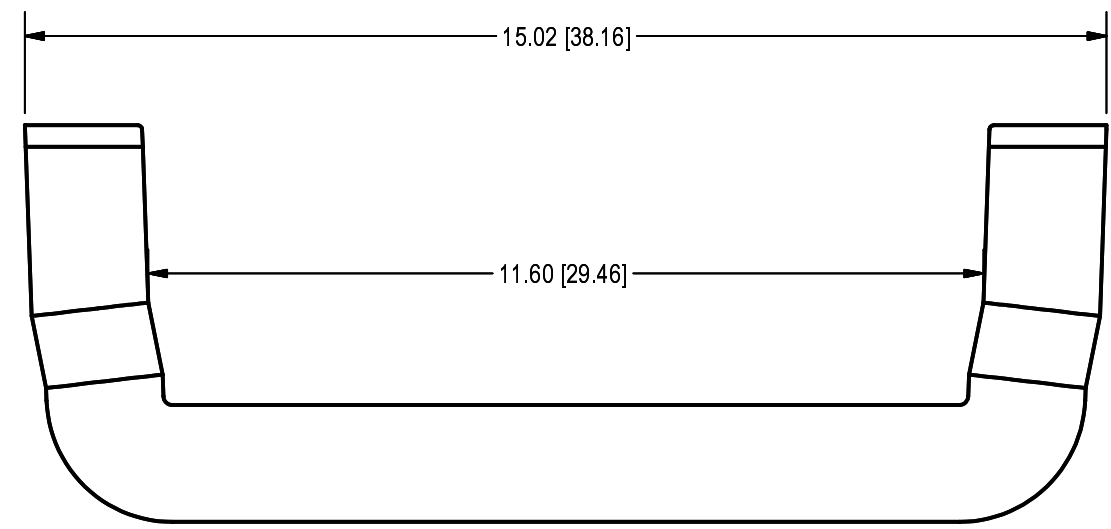
③ CUSTOMER PART NUMBER MOLDED INTO THIS SURFACE.



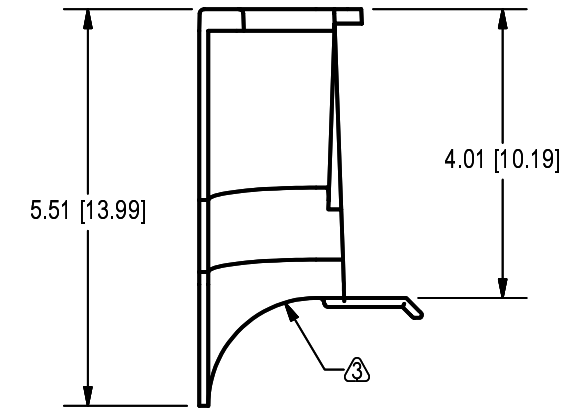
TOP VIEW




ISOMETRIC VIEW



FRONT VIEW



SIDE VIEW

DESIGNED BY T. THOM	DATE 04/25/2000	 CONNECTING THE FUTURE	N 2111 Molter Road PO Box 665 Liberty Lake, Washington 99019 (509) 926-6000	
DRAWN BY T. TURPIN	DATE 08/21/2000		TITLE CUSTOMER DRAWING	
<b>NOT FOR REPRODUCTION COPYRIGHT: 2000</b> This document contains proprietary information that is property of TELECT, INC., Spokane, Washington. It is intended for the exclusive use of our customer for information, installation, and/or service. The recipient agrees not to reproduce or copy this document or its contents in whole or in part without prior written permission from TELECT, INC. This document must be returned promptly if no longer needed or upon written request from TELECT, INC.		TRUMPET, K124		
DRAWING NO 027-2000-12475		SHEET SIZE B	ISSUE A	
PROJECT 4032	SCALE 0.375 : 1.0	SHEET 1 OF 1	REV 0	