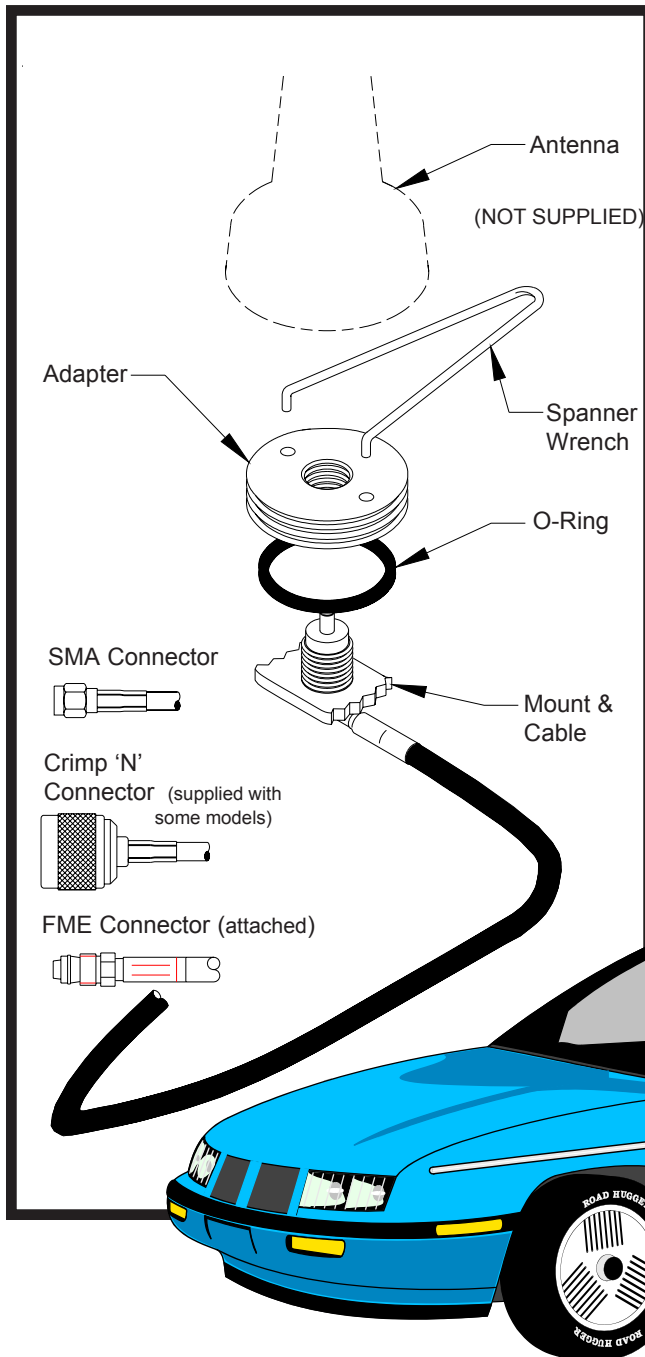


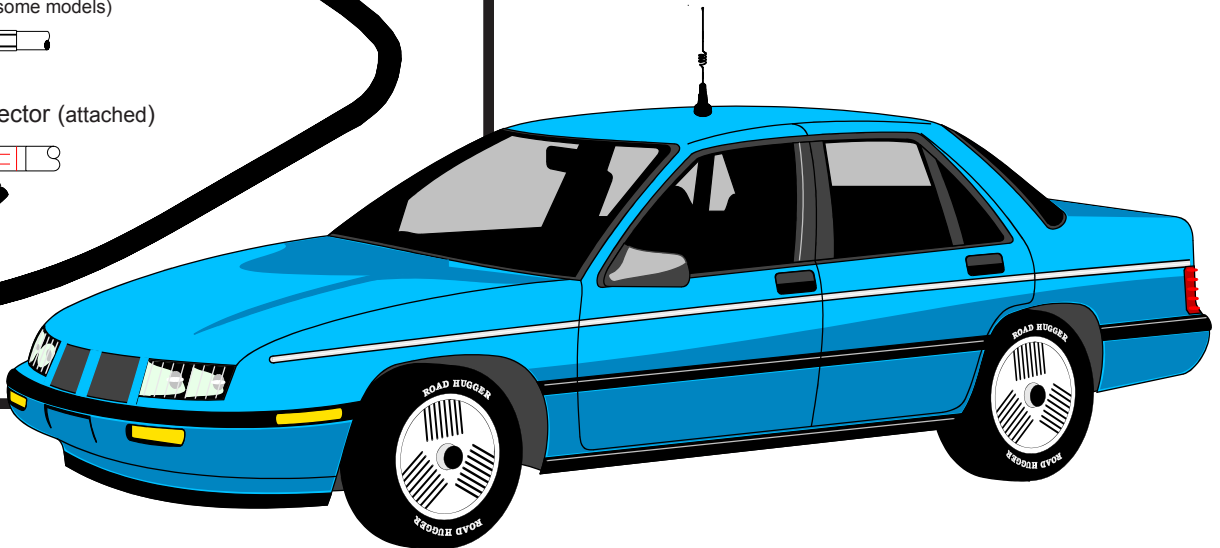
REPLACEMENT MOUNT



WHERE TO MOUNT THE ANTENNA

Center roof top mounting is recommended for best performance on trucks with metal tops. For most center roof top installations, the underside of the mounting surface will be exposed by removing the interior dome light. Be sure mounting surface is a single thickness of sheet metal. This antenna may also be mounted on any flat, horizontal, metallic surface. A slight angle, often found on truck lids, is tolerable. However, mount antenna as vertical as possible.

The use of PTFE or similar lubricant on the threaded portions and O-rings of the antenna, prior to assembly, will protect from weather and ease future disassembly.



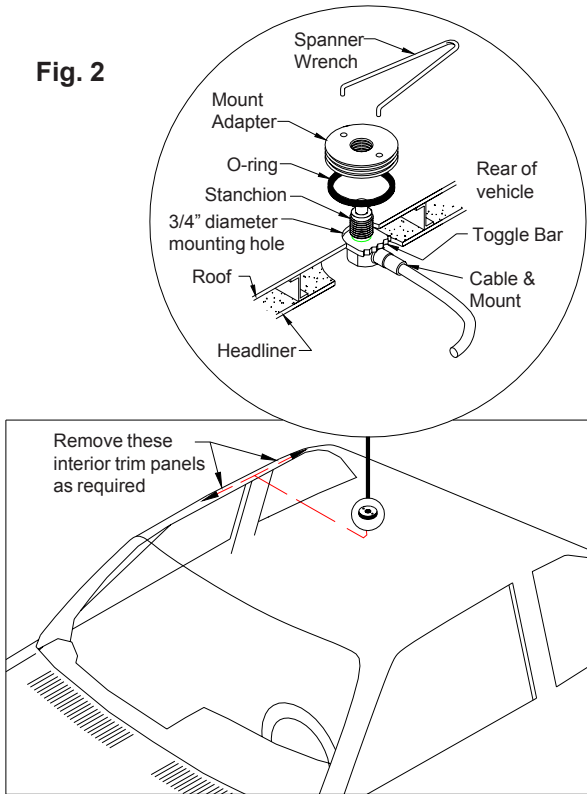
INSTALLATION INSTRUCTIONS

1. Select mounting location. Center punch or drill a 3/4" diameter hole (Fig. 2). Use a sheet metal punch or hole saw, as the use of a twist drill may tear the headliner.
2. If the underside of the mounting location is accessible the cable may be routed from the interior. Otherwise the cable must be fed through the hole and routed from the rooftop.
3. Remove interior trim panel(s) from above window on either side (passenger's side shown in Fig. 2). Route cable between roof and headliner from mounting location over to the side (Fig. 2). Lay the cable in the area exposed by the trim panel(s).



© PCTEL, Inc.
471 Brighton Drive
Bloomington, Illinois 60108-3102
ph. 630-372-6800 fax. 630-372-8077
Sales Toll Free: 1-800-323-9122
www.antenna.pctel.com

Fig. 2



4. Remove interior trim panel(s) from the window post closest to the radio location. Route the cable down the post and to the radio using a route that will avoid cable damage. Excess cable may be cut off (leaving some slack) or loosely coiled and stored where it will not be damaged.
5. Carefully replace the interior trim panels to avoid damaging cable.
6. Apply a small amount of silicone lubricant into the groove on the underside of the mount adapter. Place the O-ring in the groove. The O-ring will now remain in place while mount adapter is threaded onto stanchion.
7. If the underside of the mounting location is accessible push the stanchion up through hole and have a helper thread the mount adapter onto stanchion. Otherwise, thread the mount adapter onto the stanchion 1/2 to 3/4 of a turn. Hold the mount adapter, angle the stanchion into the hole (Fig. 3).
8. Align centering boss on the underside of the mount adapter in hole and use spanner wrench to tighten mount adapter securely (Fig. 4). Be sure mount does not rotate.
9. Attach connector (if supplied) to radio end of cable. (SEE CONNECTOR ASSEMBLY INSTRUCTIONS).
10. Screw connector onto antenna receptacle of radio to complete installation.
11. Assemble antenna (NOT SUPPLIED) onto mount adapter per instructions supplied with antenna.

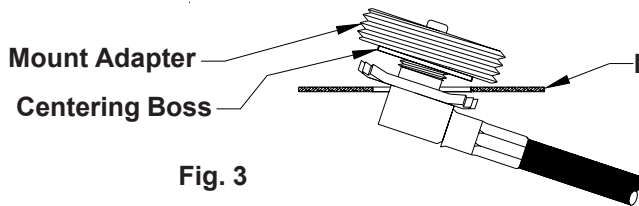


Fig. 3

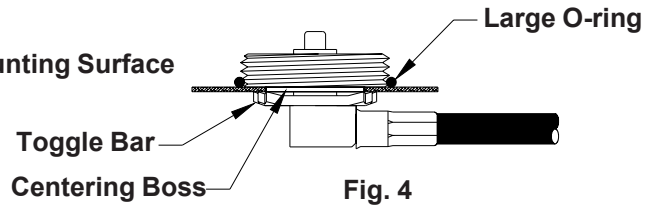


Fig. 4

TYPE 'N' CRIMP CONNECTOR INSTRUCTIONS	
<p>FERRULE CONTACT CONNECTOR BODY</p>	
<p>For cable with foil, back strip even with braid.</p>	Trim cable to dimensions shown. (When using Low Loss Cable trim Foil to dimension shown). Slide the ferrule onto the cable as shown.
<p>Crimp area</p>	Seat center contact firmly against cable dielectric and crimp with proper (.100 hex) crimp tool.
	Slide the tapered portion of the connector body over the dielectric (and foil if cable has foil) under the braid, until the dielectric butts against the insulator at point E. When contact is undercut, (captive type) insert cable until it snaps into place. Trim excess braid wire even with the body shoulder at point F. Slide the ferrule over the braid, butting against body shoulder at point G. Verify pin depth and crimp ferrule over braid using proper (.213 hex) crimp tool.

TYPE SMA CONNECTOR INSTRUCTIONS	
<p>BODY CONTACT FERRULE</p>	
<p>For cable with foil, strip back even with braid.</p>	Trim cable to dimensions shown, taking care not to nick the inner conductor or the braid.
	Insert center conductor into contact pin, crimp with appropriate crimp tool or solder securely. If soldered, clean off flux residue, then slide ferrule onto cable.
	Insert main body over dielectric and foil, as shown.
	Slide ferrule over braid and crimp with appropriate (.213 hex) crimp tool.