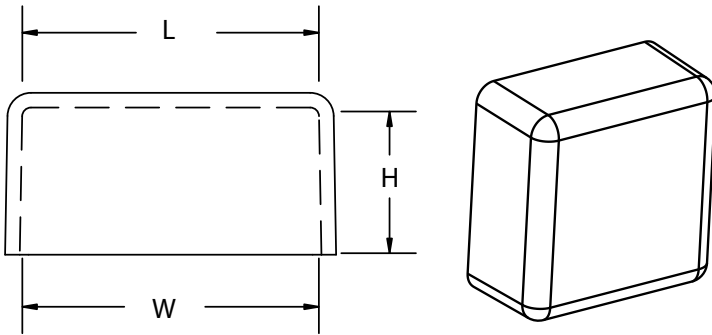


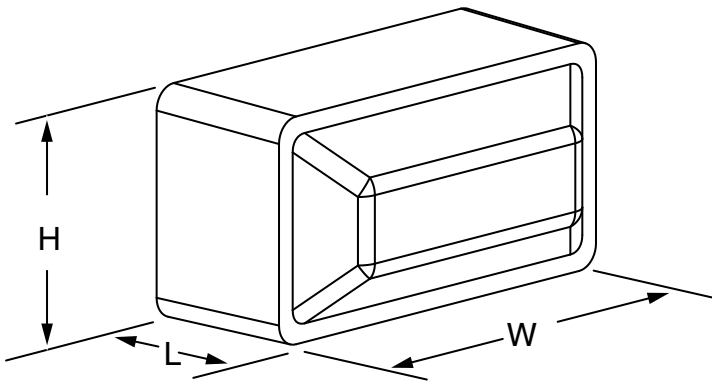
**FLAT END CAP**

Modified:10/14/2009



	part number	size	H	W	L
<b>Order</b>	00250901xx	2x2	1.1	2.2	2.2

**END CAP**



	part number	size	H	W	L
<b>Order</b>	00250900xx	2x2	2.4	2.4	1.5
	00251000xx	4x4	4.4	4.4	2.5