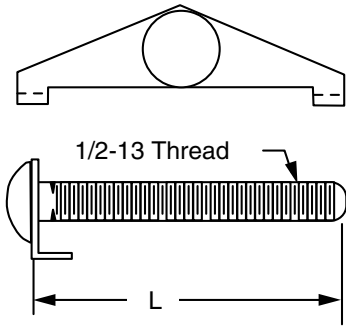


SPANNER J-BOLT

Sales Sheet Modified:07/16/2018



Notes:

- Finish is zinc plated and gold chromate.
- Dimensions are nominal.
- Special sizes available upon request.
- Bolt is fully threaded.

Ordering Table

Part Number	L
0030260110	3-1/8"
0030260210	3-3/8"
0030260310	3-5/8"
0030260410	4-3/8"
0030260510	4-7/8"
2023941510	6-7/8"