

REAR GUARD FOR NETWORK BAY

Modified:11/04/2022

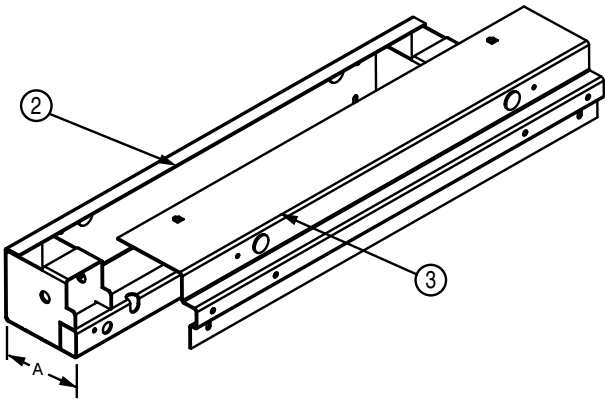


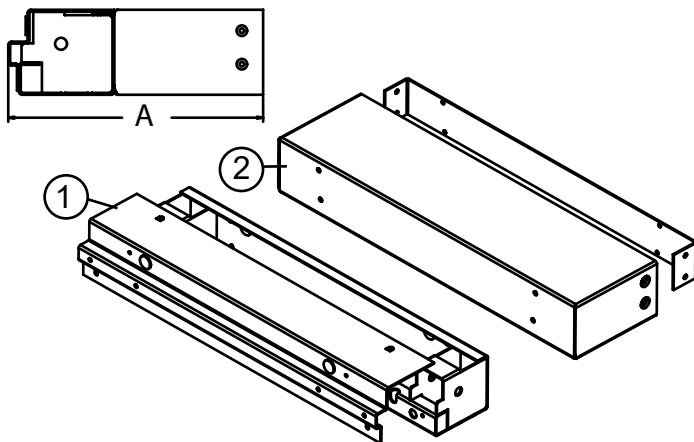
	Figure #	A	Rack Width
Ordering Number	21840600xx	5"	23"
	21840601xx	6"	23"
	21832400xx	8"	23"
	21840650xx	5"	19"
	21832401xx	9"	23"
	21904301xx	7"	23"

	Item	Qty	Description
Stock List	1	ar	12-24 x 3/8" hhms tri-lobe
	2	1	rear guard rail weldment
	3	1	netbay rear guard rail cover

Notes:

- XX= finish code; standard finish, xx= 64
- For use with ufer version of the 004900 series racks.

NETBAY REAR GUARD RAIL KIT



	part number	rack size	A
Ordering Table	21904303xx	23"	12"
	21904304xx	23"	14"

	Item	Qty	Description
Stock List	1	1	rear guard rail kit
	2	1	rear box kit