
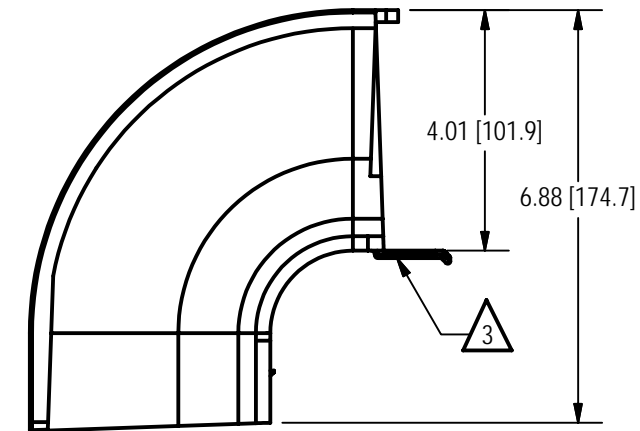
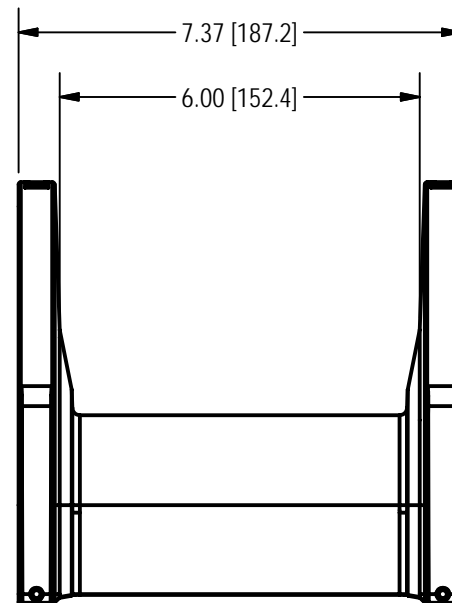
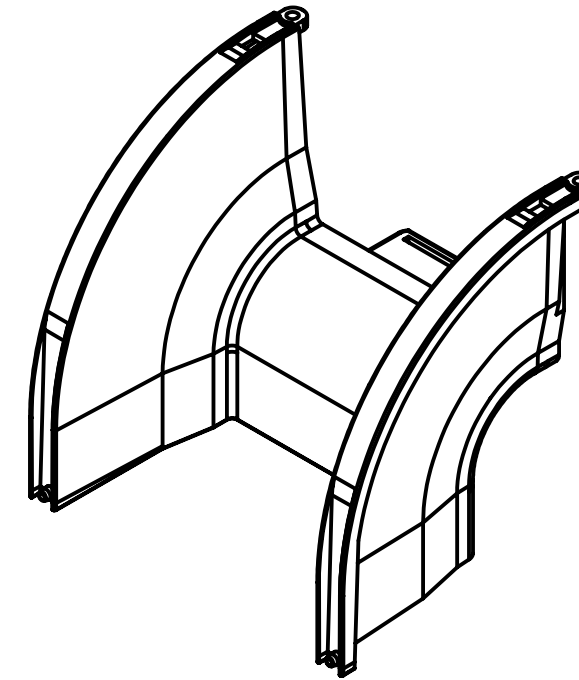
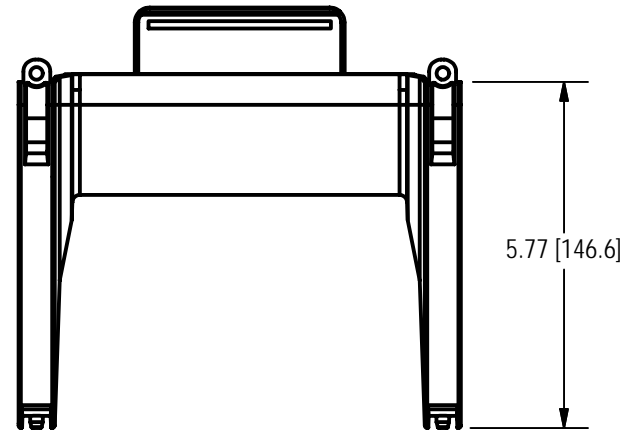




NOTES: (UNLESS OTHERWISE SPECIFIED.)

1. DIMENSIONS ARE IN INCHES [MM].
2. DIMENSIONS ARE FOR REFERENCE ONLY.

 CUSTOMER PART NUMBER MOLDED INTO THIS SURFACE.

| REV | ECO | DESCRIPTION | DATE | BY |
|-----|-----|-------------------------|------------|-----|
| 1 | --- | REV 027# TO MATCH PART# | 11/30/2004 | SWE |



| | | | | |
|--|-------------------|---|---|----------|
| DESIGNED BY T. THOM | DATE 3/13/2000 |  Telect [®] CONNECTING THE FUTURE | N 2111 Molter Road PO Box 665 Liberty Lake, Washington 99019 (509) 926-6000 | |
| DRAWN BY T. TURPIN | DATE 9/25/2000 | | TITLE CUSTOMER DRAWING | |
| NOT FOR REPRODUCTION COPYRIGHT: 2000 This document contains proprietary information that is property of TELECT, INC., Spokane, Washington. It is intended for the exclusive use of our customer for information, installation, and/or service. The recipient agrees not to reproduce or copy this document or its contents in whole or in part without prior written permission from TELECT, INC. This document must be returned promptly if no longer needed or upon written request from TELECT, INC. | | CMS, DROP ATTACHMENT K64 | | |
| DRAWING NO 027-2000-6477 | | SHEET SIZE B | ISSUE A | |
|  | PROJECT 4045 | SCALE 0.312 : 1.0 | SHEET 1 OF 1 | REV 1 |