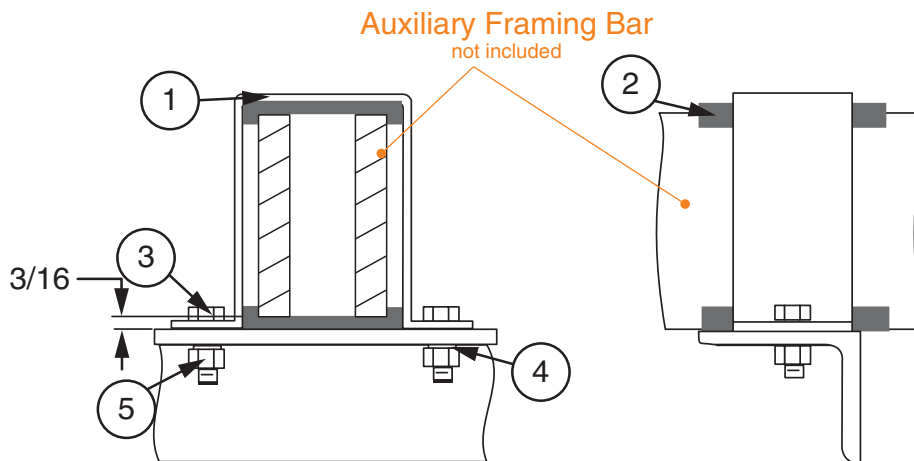


INSULATING PARALLEL AUXILIARY FRAMING BAR FROM TOP ANGLE OR WALL ANGLE

Modified:08/07/2015



Ordering Table

Part Number

00105400xx

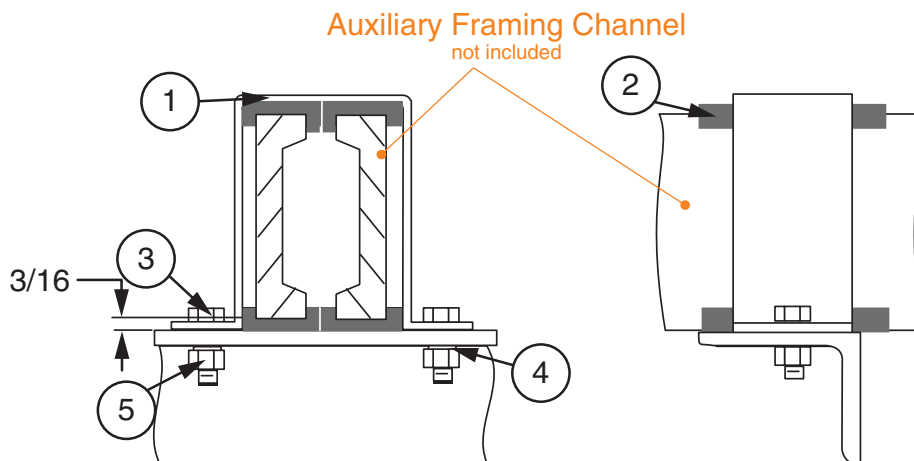
Stock List

Item	QTY	Description
1	1	Bracket
2	2	Insulator -- <i>see note</i>
3	2	3/8"-16 X 7/8" HHCS
4	2	3/8" Lock Washer
5	2	3/8"-16 Hex Nut

Notes:

- Finish is zinc plated and gold chromate, finish code 10.
- Insulator material is rated U.L. 94 V-1 and has an oxygen index rating of greater than 29.
- Not included; refer to 001021.

INSULATING PARALLEL AUX. FRAMING CHANNEL FROM TOP ANGLE OR WALL ANGLE



Ordering Table

Part Number

00105401xx

Stock List

Item	QTY	Description
1	1	Bracket
2	4	Insulator -- <i>see note</i>
3	2	3/8"-16 X 7/8" HHCS
4	2	3/8" Lock Washer
5	2	3/8"-16 Hex Nut

Notes:

- Finish is zinc plated and gold chromate, finish code 10.
- Insulator material is rated U.L. 94 V-1 and has an oxygen index rating of greater than 29.
- Not included; refer to 001022.