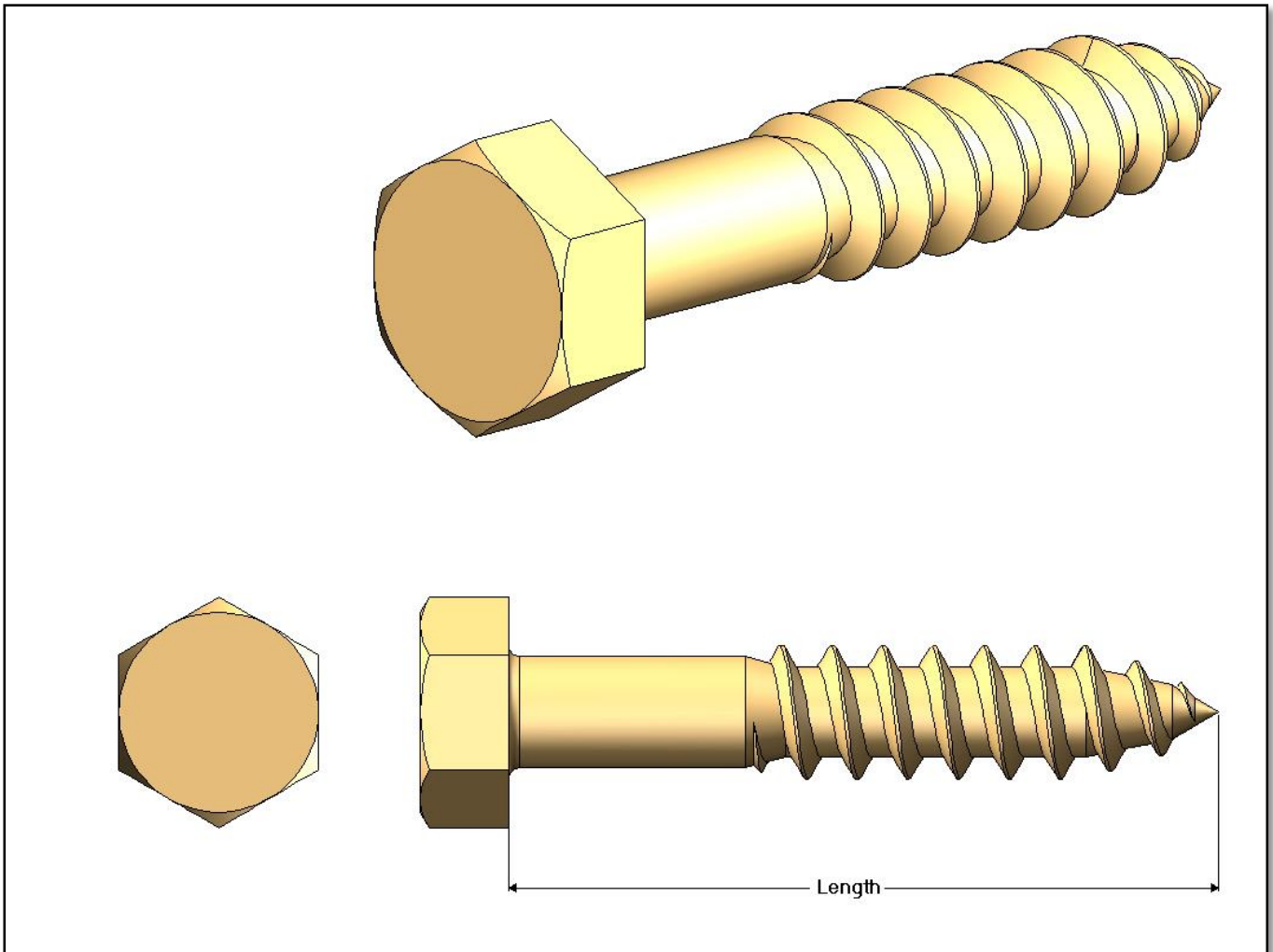




## Lag Screw - Selection



3/8" Lag Screw Selection	
CSF P/N#	Length
LS1301	1.00"
LS1302	1.25"
LS1303	1.50"
LS1304	1.75"
LS1305	2.00"
LS1306	2.50"
LS1307	3.00"

**Notes:**

- 3/8" Lag Screw Selection finish is zinc yellow.

Specifications subject to change. Please contact CSF Customer Service for more information.