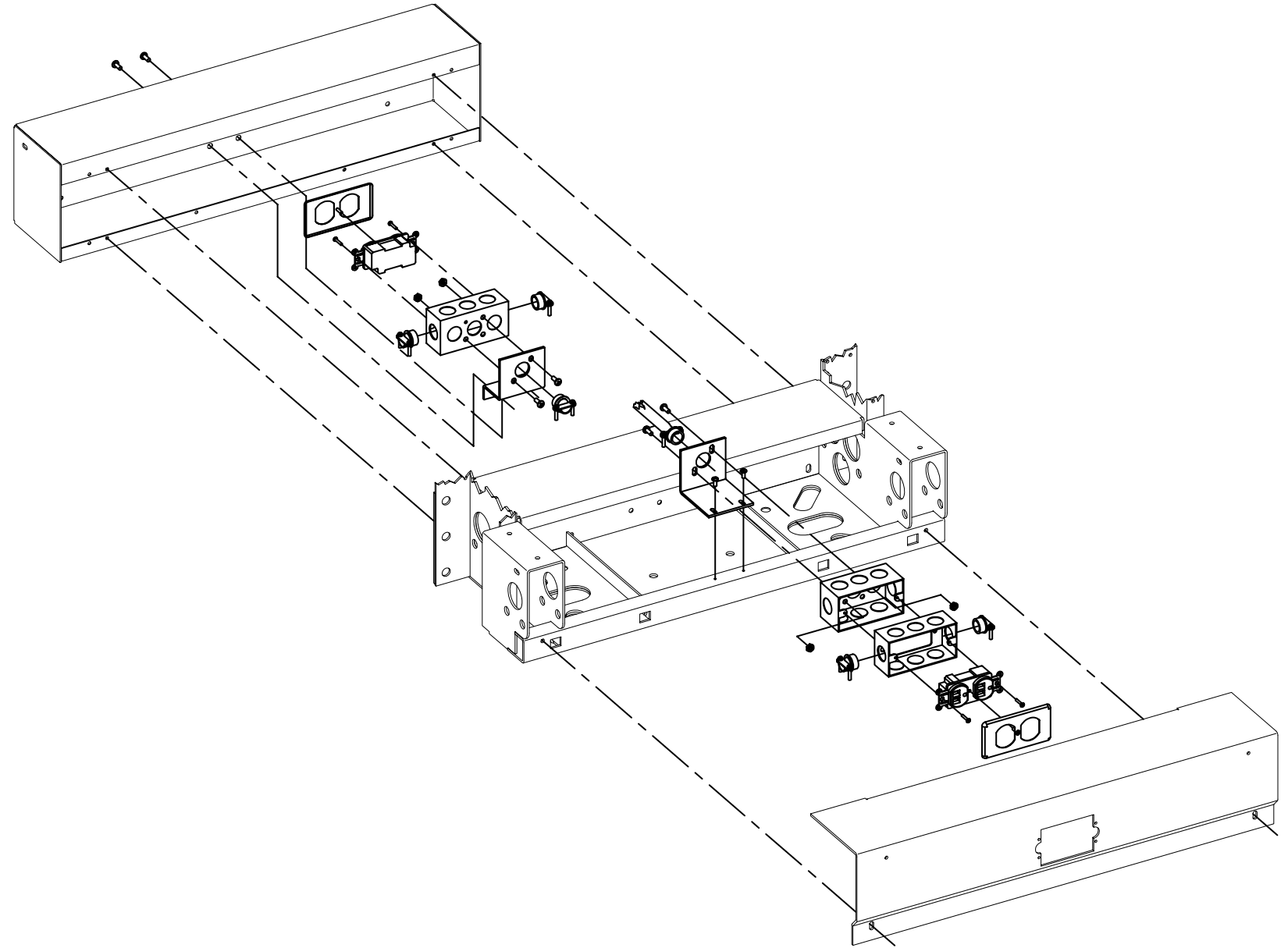




REV	ECN	DESCRIPTION	DATE	BY	APR
-----	-----	-------------	------	----	-----

**NOTES:** (UNLESS OTHERWISE SPECIFIED)

1. DIMENSIONS ARE IN INCHES.
2. DIMENSIONS ARE FOR REFERENCE ONLY.
3. THIS AC OUTLET INCLUDES THE FOLLOWING:  
\* INSULATION STRIP



DESIGNED BY RENE	DATE 09/24/97	 N 2111 Molter Road PO Box 665 Liberty Lake, Washington 99019 (509) 926-6000
DRAWN BY A BORGENS	DATE 03/21/05	
NOT FOR REPRODUCTION COPYRIGHT 2005 <small>This document contains proprietary information that is property of TELECT, INC., Spokane, Washington. It is intended for the exclusive use of our customer for information, installation, and/or service. The recipient agrees not to reproduce or copy this document or its contents in whole or in part without prior written permission from TELECT, INC. This document must be returned promptly if no longer needed or upon written request from TELECT, INC.</small>		TITLE CUSTOMER DRAWING UF AC OUTLET FRONT & REAR
PART NO 02606-01		SHEET SIZE B A
 PROJECT R002	SCALE NTS	SHEET 1 of 1
		ISSUE A
		REV 0