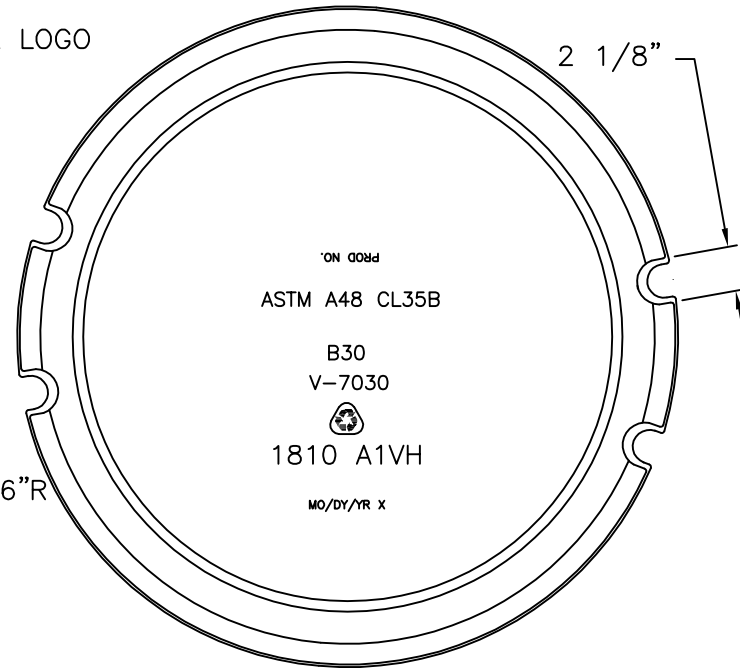
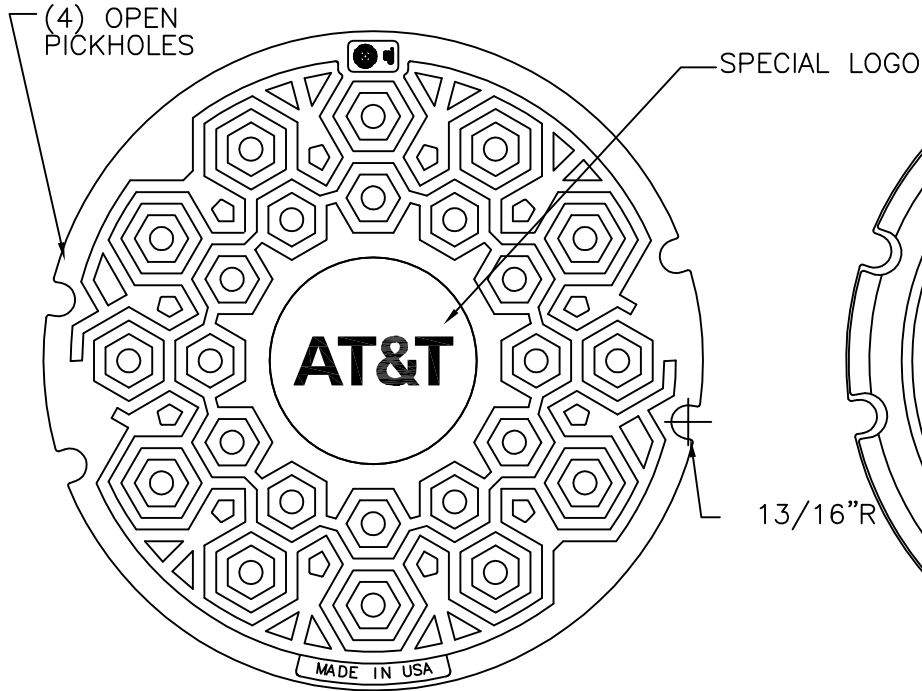
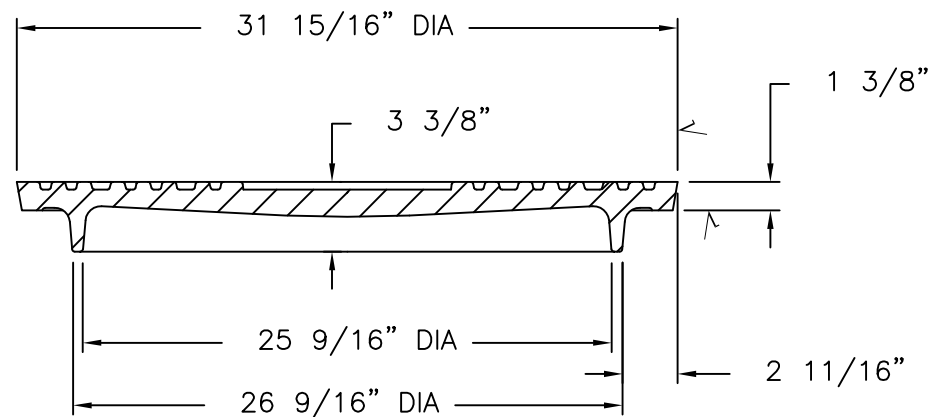


# 1810A1VH Cover

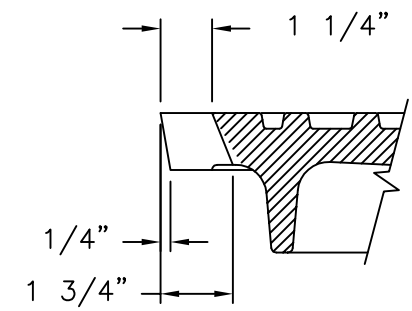


- Product Number**  
00180896
- Design Features**
- Materials  
Gray Iron (CL35B)
  - Design Load  
Extra Heavy Duty
  - Open Area  
n/a
  - Coating  
Undipped
  - √ Designates Machined Surface
- Certification**
- ASTM A48
  - 
  - 
  - Country of Origin: USA

**BOTTOM OF COVER**



**SECTION**



**PICKHOLE DETAIL**

**Drawing Revision**  
5/31/2006 Designer: SMH  
7/26/2021 Revised By: DAE

**Disclaimer**  
Weights (lbs./kg) dimensions (inches/mm) and drawings provided for your guidance. We reserve the right to modify specifications without prior notice.  
CONFIDENTIAL: This drawing is the property of EJ GROUP, Inc., and embodies confidential information, registered marks, patents, trade secret information, and/or know how that is the property of EJ GROUP, Inc. Copyright © 2012 EJ GROUP, Inc. All rights reserved.

**Contact**  
800 626 4653  
ejco.com