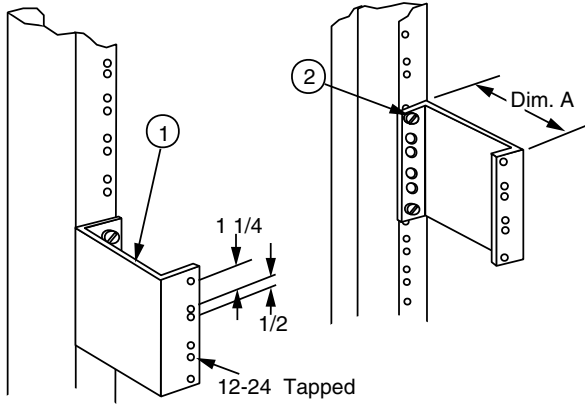


RACK STANDOFF FOR EQUIPMENT RACK, 1-3/4" MOUNTING SPACES

Sales Sheet Modified:07/16/2019



Notes:

- XX= finish code; standard finish, xx= 30.
- Three spaces shown. Other heights available upon request.
- Material is 13 ga. Steel.
- Includes 2 standoffs and associated mounting hardware.

Ordering Table

Part Number	1-3/4" mtg spaces	A
00407101xx	1	3"
00407102xx	2	3"
00407103xx	3	3"
00407104xx	4	3"
00407105xx	5	3"
00407106xx	10	3"
00407107xx	20	3"
00407108xx	30	3"
00407201xx	1	5"
00407202xx	2	5"
00407203xx	3	5"
00407204xx	4	5"
00407205xx	5	5"
00407206xx	10	5"
00407207xx	20	5"
00407208xx	30	5"
00407301xx	1	7"
00407302xx	2	7"
00407303xx	3	7"
00407304xx	4	7"
00407305xx	5	7"
00407306xx	10	7"
00407307xx	20	7"
00407308xx	30	7"