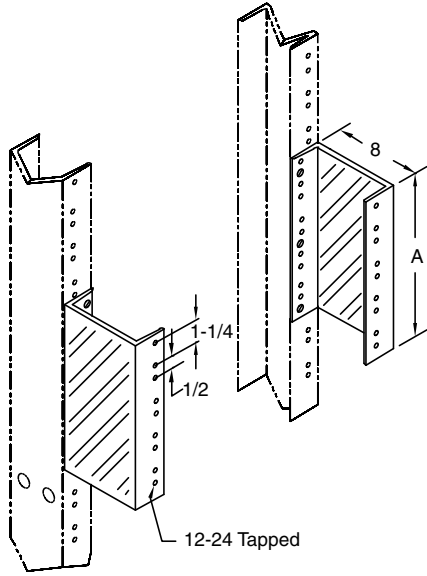


**RACK STAND-OFF KIT , 8", 1-3/4" MOUNTING SPACING**

Sales Sheet Modified:07/16/2019



**Ordering Table**

| Part Number | 1-3/4" MTG Spaces | 12-24 x 1/2" | A         |
|-------------|-------------------|--------------|-----------|
| 21265701xx  | 1                 | 4            | 1-11/16"  |
| 21265702xx  | 2                 | 4            | 3-7/16"   |
| 21265703xx  | 3                 | 4            | 5-3/16"   |
| 21265704xx  | 4                 | 6            | 6-15/16"  |
| 21265705xx  | 5                 | 6            | 8-11/16"  |
| 21265706xx  | 10                | 10           | 17-7/16"  |
| 21265707xx  | 20                | 20           | 34-15/16" |
| 21265708xx  | 30                | 30           | 52-7/16"  |
| 21265709xx  | 43                | 40           | 75-3/16"  |

**Notes:**

- XX= finish code; standard finish, xx= 30.
- Includes 2 standoffs and associated mounting hardware.