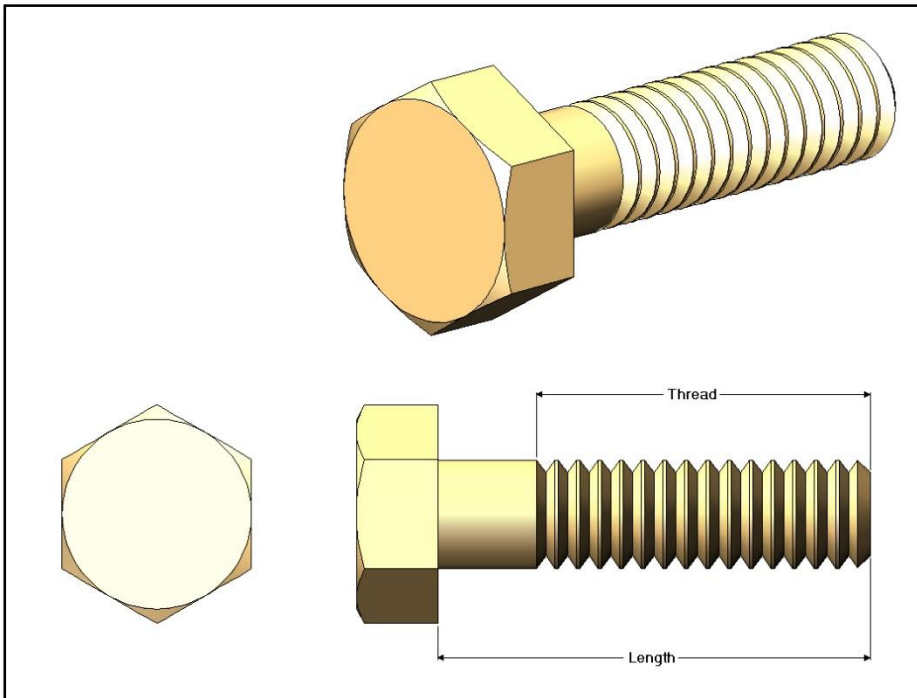


Hex Head Machine Screw - Selection



5/8-11 Hex Head Machine Screw		
CSF P/N#	Length	Thread
HH1201	1.00"	FULL
HH1202	1.25"	FULL
HH1203	1.50"	FULL
HH1204	1.75"	FULL
HH1205	2.00"	1.25"
HH1206	2.25"	1.25"
HH1207	2.50"	1.25"
HH1208	2.75"	1.25"
HH1209	3.00"	1.25"
HH1210	3.25"	1.25"
HH1211	3.50"	1.25"
HH1212	3.75"	1.25"
HH1213	4.00"	1.25"
HH1214	4.50"	1.25"
HH1215	5.00"	1.25"
HH1216	5.50"	1.25"
HH1217	6.00"	1.25"

1/4-20 Hex Head Machine Screw		
CSF P/N#	Length	Thread
HH0601	1/2"	FULL
HH0602	5/8"	FULL
HH0603	3/4"	FULL
HH0604	7/8"	3/4"
HH0605	1.00"	3/4"
HH0606	1.25"	3/4"
HH0607	1.50"	3/4"
HH0608	1.75"	3/4"
HH0609	2.00"	3/4"
HH0610	2.25"	3/4"
HH0611	2.50"	3/4"
HH0612	2.75"	3/4"
HH0613	3.00"	3/4"
HH0614	3.25"	3/4"
HH0615	3.50"	3/4"
HH0616	3.75"	3/4"
HH0617	4.00"	3/4"
HH0618	4.50"	3/4"
HH0619	5.00"	3/4"
HH0620	5.50"	3/4"
HH0621	6.00"	3/4"

5/16-18 Hex Head Machine Screw		
CSF P/N#	Length	Thread
HH0801	1/2"	FULL
HH0802	5/8"	FULL
HH0803	3/4"	FULL
HH0804	7/8"	FULL
HH0805	1.00"	7/8"
HH0806	1.25"	7/8"
HH0807	1.50"	7/8"
HH0808	1.75"	7/8"
HH0809	2.00"	7/8"
HH0810	2.25"	7/8"
HH0811	2.50"	7/8"
HH0812	2.75"	7/8"
HH0813	3.00"	7/8"
HH0814	3.25"	7/8"
HH0815	3.50"	7/8"
HH0816	3.75"	7/8"
HH0817	4.00"	7/8"
HH0818	4.50"	7/8"
HH0819	5.00"	7/8"
HH0820	5.50"	7/8"
HH0821	6.00"	7/8"

3/8-16 Hex Head Machine Screw		
CSF P/N#	Length	Thread
HH1001	1/2"	FULL
HH1002	5/8"	FULL
HH1003	3/4"	FULL
HH1004	7/8"	FULL
HH1005	1.00"	FULL
HH1006	1.25"	1.00"
HH1007	1.50"	1.00"
HH1008	1.75"	1.00"
HH1009	2.00"	1.00"
HH1010	2.25"	1.00"
HH1011	2.50"	1.00"
HH1012	2.75"	1.00"
HH1013	3.00"	1.00"
HH1014	3.25"	1.00"
HH1015	3.50"	1.00"
HH1016	3.75"	1.00"
HH1017	4.00"	1.00"
HH1018	4.50"	1.00"
HH1019	5.00"	1.00"
HH1020	5.50"	1.00"
HH1021	6.00"	1.00"

1/2-13 Hex Head Machine Screw		
CSF P/N#	Length	Thread
HH1101	3/4"	FULL
HH1102	7/8"	FULL
HH1103	1.00"	FULL
HH1104	1.25"	FULL
HH1105	1.50"	1.25"
HH1106	1.75"	1.25"
HH1107	2.00"	1.25"
HH1108	2.25"	1.25"
HH1109	2.50"	1.25"
HH1110	2.75"	1.25"
HH1111	3.00"	1.25"
HH1112	3.25"	1.25"
HH1113	3.50"	1.25"
HH1114	3.75"	1.25"
HH1115	4.00"	1.25"
HH1116	4.50"	1.25"
HH1117	5.00"	1.25"
HH1118	5.50"	1.25"
HH1119	6.00"	1.25"

Notes:
 - Hex Head M/S Selection finish is zinc yellow.
 - All 1/4-20 screws and up [Grade 5]

Specifications subject to change. Please contact CSF Customer Service for more information.