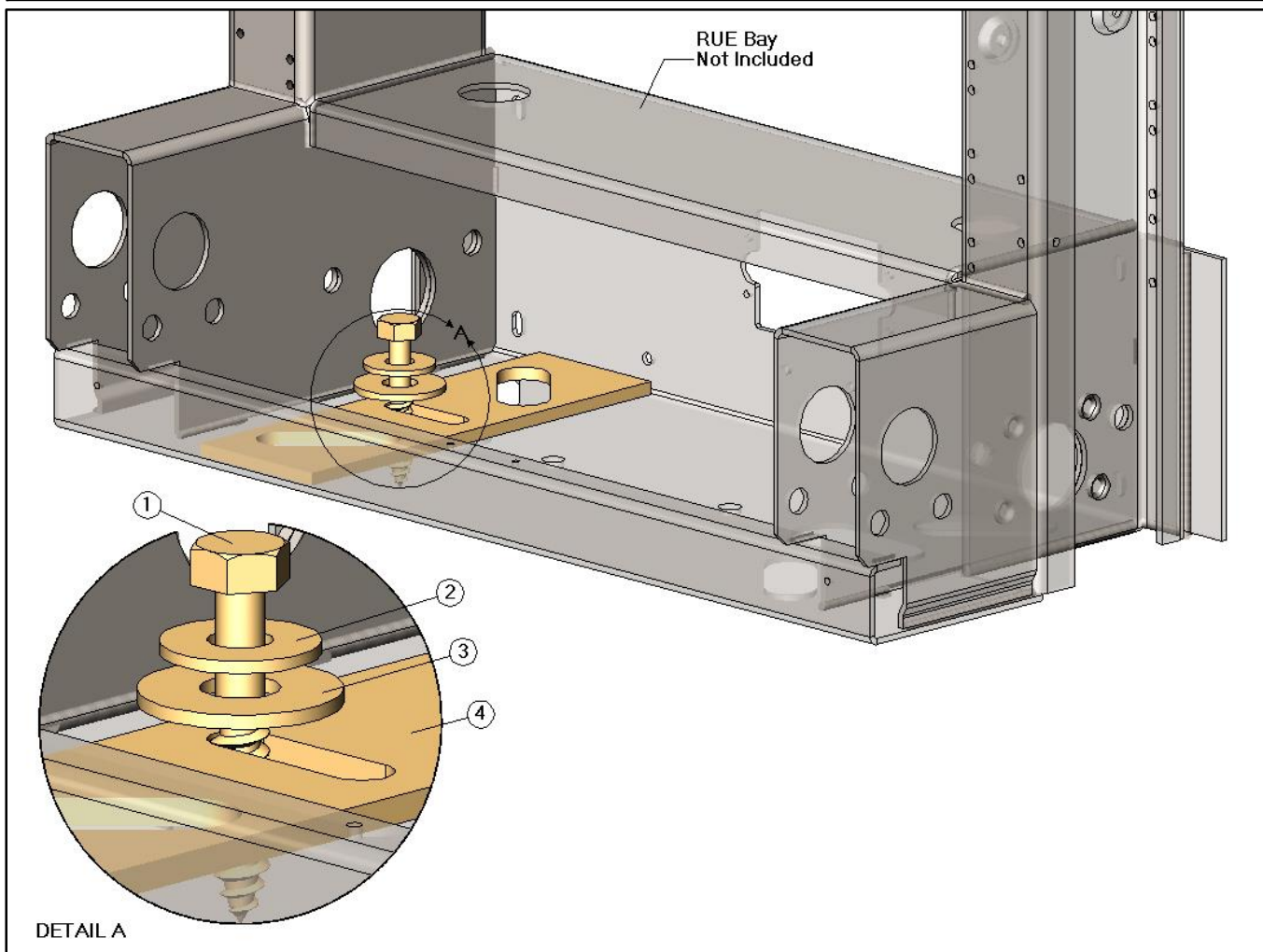


FMH1101 - Non Seismic Anchor Kit



FMH1101 - Non Seismic Anchor kit

Item	CSF P/N#	Description	QTY
1	LS2312	1/2" Hex Head Lag Screw x 3.00" Length	2
2	FW167	1/2" Flat Washer	2
3	FW168	5/8" Flat Washer	2
4	HPU3000	Hold Down Plate	1

Specifications subject to change. Please contact CSF Customer Service for more information.

RVSD*0719

501