

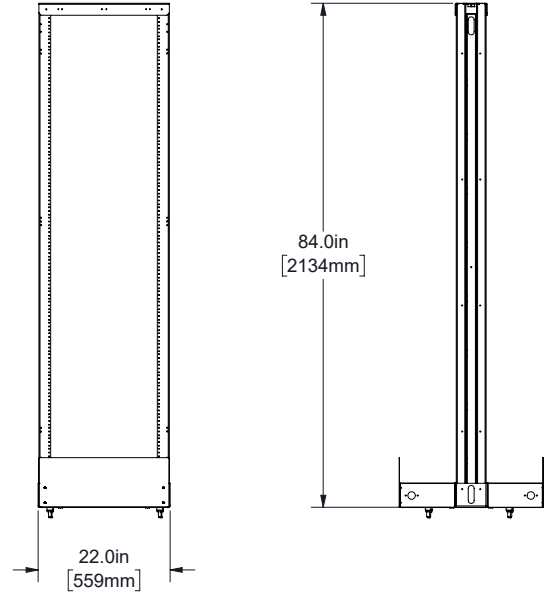
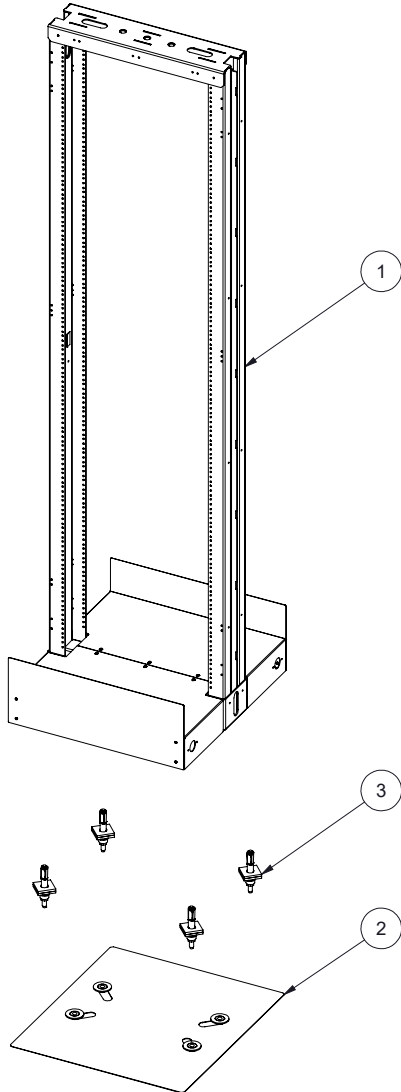
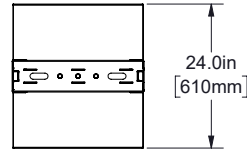
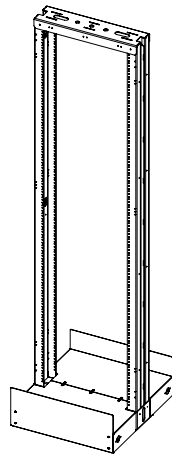
HyperX

HYP-F22-S

19" Seismic Rack Systems Solution

www.amphenol-ns.com/HyperX

Dimensions are for reference only



HYP-F22 is a 19" Network Bay, GR-63 rated to 825 pounds.

The HYP-F22-S is the system solution kit that includes the components shown.

Consider the overall layout of the entire bay and lineup system planned.

The isolation pad can be used as a template to locate anchor hole positions for frame.

Ensure final location is set before drilling holes. Drill holes in outermost slot positions when possible for improved rigidity.

The washer sets included with isolation kit will electrically isolate anchors from frame.

See individual component installation instructions for more detail or visit website.

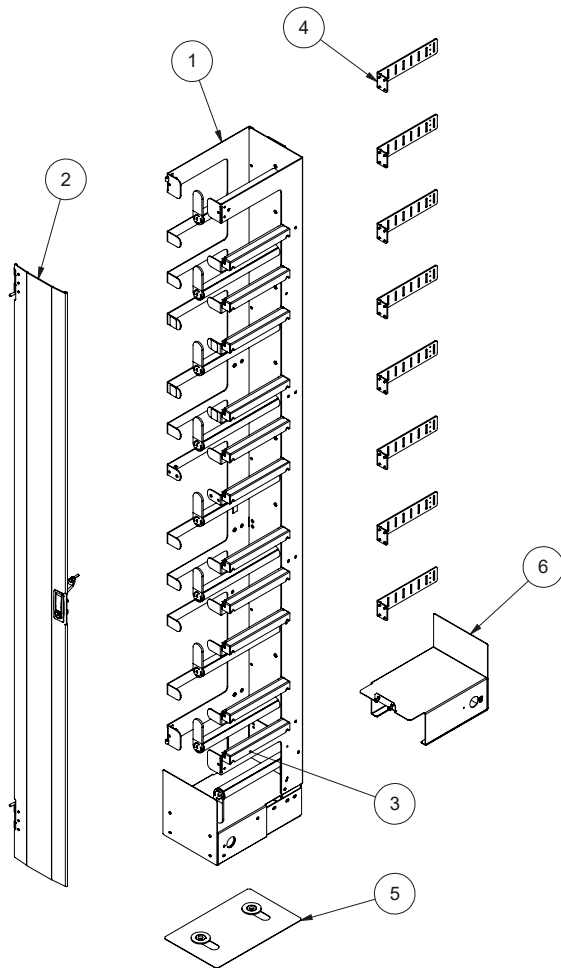
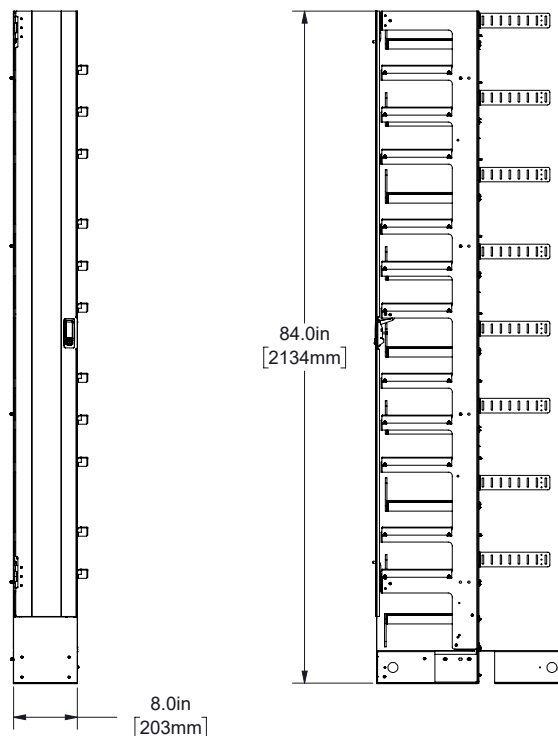
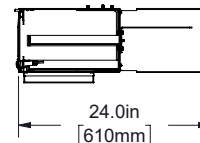
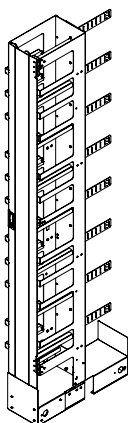
ITEM	PART NO.	DESCRIPTION
1	HYP-F22	SEISNET FRAME, COVER GUARDS, TROUGH, 22"W X 24"D
2	HYP-F22-ISO	ISO PAD: 22"W X 24"D, SEISNET
3	08022K01	NON ISOLATED ANCHOR KIT

HyperX

HYP-CM-8X-S

8" Cable Manager Systems Solution

www.amphenol-ns.com/HyperX



HYP-CM-8L-S SHOWN

Item	Description
HYP-CM-8L-S	8" Wide Left Cable Manager, Left Door, Iso Pad, Tie off Brackets, Fiber Arcs
HYP-CM-8R-S	8" Wide Right Cable Manager, Right Door, Iso Pad, Tie off Brackets, Fiber Arcs
HYP-CM-8M-S	8" Wide Middle Cable Manager, Right Door, Iso Pad, Tie off Brackets, Fiber Arcs

HYP-CM-8X-S is the system solution kit that includes the components shown.

Consider the overall layout of the entire bay and lineup system planned.

The isolation pad can be used as a template to locate anchor hole positions for frame. Ensure final location is set before drilling holes.

The washer sets included with isolation kit will electrically isolate anchors from base. Anchors are not included with this assembly and need to be purchased separately.

See individual component installation instructions for more detail or visit website.

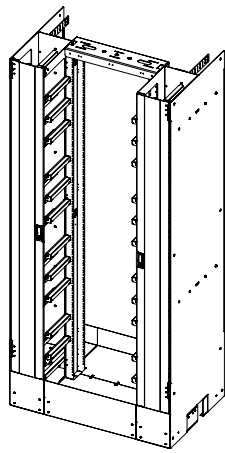
Kit Contents

ITEM	PART NO.	DESCRIPTION
1	HYP-CM-8X	CABLE MANAGER: 8"W X 12"D X 84"H, SML DIA SPL
2	HYP-DOOR-8L	DOOR: HYPERX, 8" CBL MGR, LEFT
3	HYP-CM-ARC-11	ARCS (11) FIBER PRTECT, LEAD-IN CBL MGR, 8.8"L
4	HYP-BRKT-K08L	TIE OFF BRKTS (8), CBL MGR, 9"L
5	HYP-8CM-ISO	ISO PAD: 8" CABLE MANAGER, HARDWARE
6	HYP-8CM-RCG	HYPERX, 8 IN REAR CBL MGR, COVER GUARD

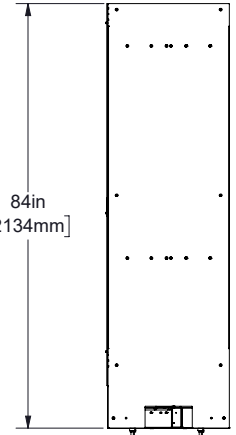
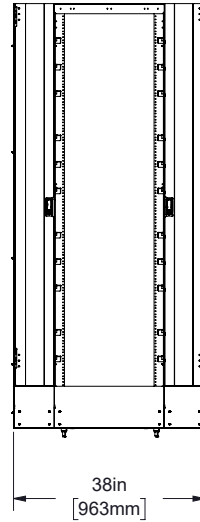
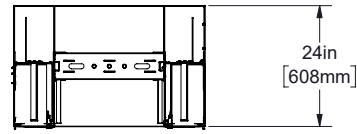
HyperX 2.0

High Density Rack and Fiber Management System Solution

www.amphenol-ns.com/HyperX



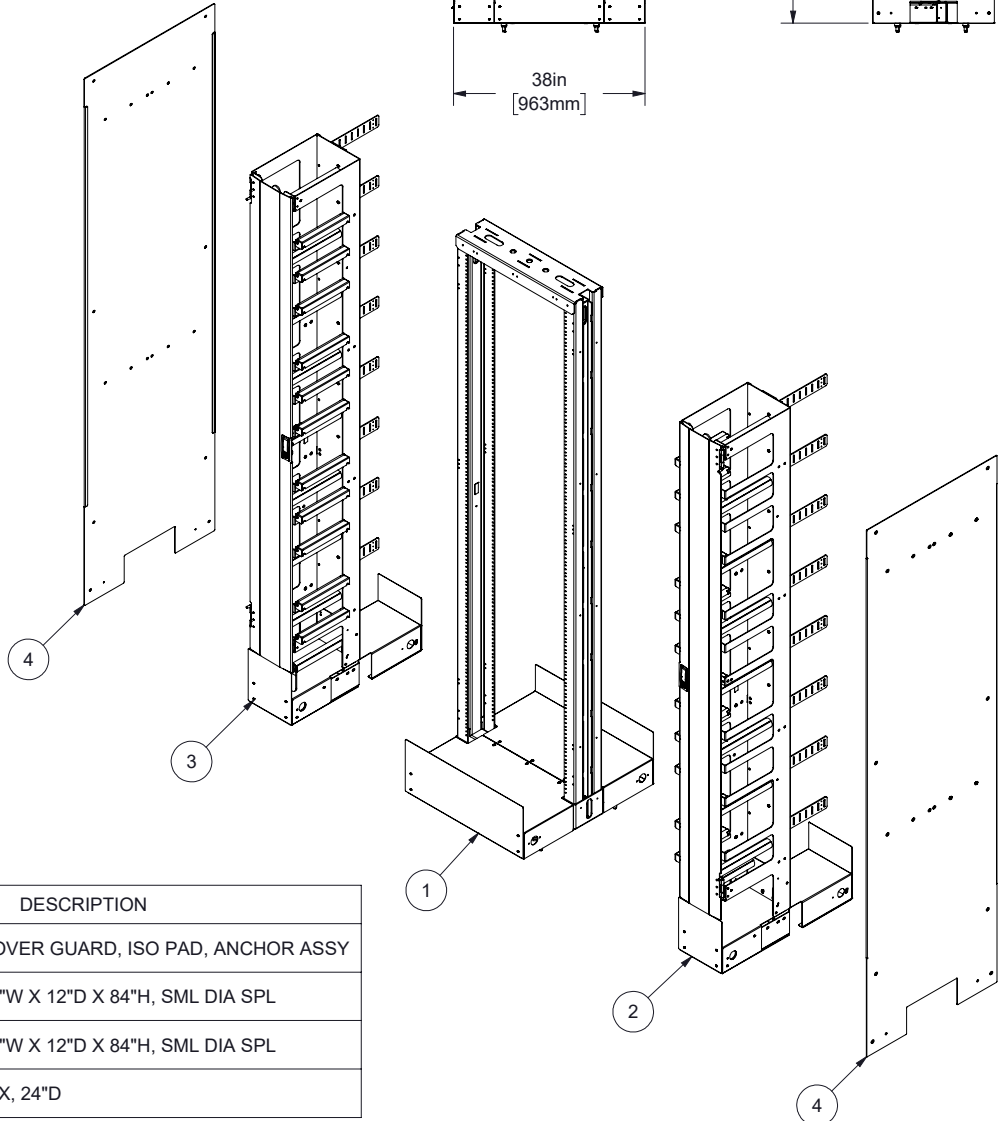
Dimensions are for reference only



HyperX 2.0 is a high density 19" equipment network bay solution coupled with property rich fiber managers in a small footprint.

Buildable components make it easy to continue a lineup

See individual installation instructions for more detail or visit website.



ITEM	PART NO.	DESCRIPTION
1	HYP-F22-S	SEISNET FRAME, COVER GUARD, ISO PAD, ANCHOR ASSY
2	HYP-CM-8R-S	CABLE MANAGER: 8"W X 12"D X 84"H, SML DIA SPL
3	HYP-CM-8L-S	CABLE MANAGER: 8"W X 12"D X 84"H, SML DIA SPL
4	HYP-EP-24D	END PANEL: HYPERX, 24"D