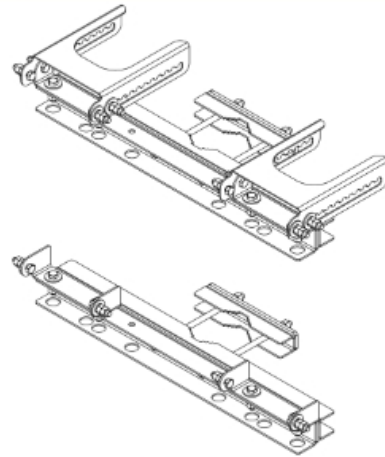


▼ Mechanical

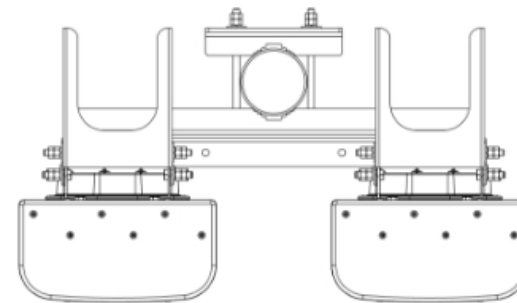
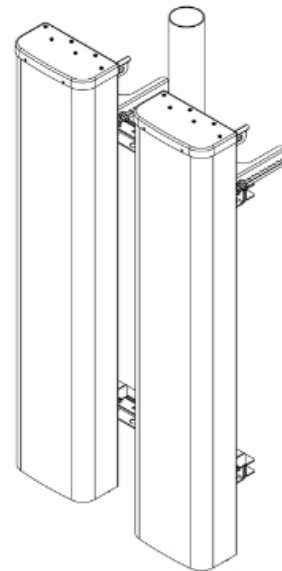
Weight	70.5 lbs (32.0 kg)
Hinge Pitch (Vertical)	47.25 in (1200 mm)
Antenna Spacing (Horizontal)	15.6 in (396 mm) or 23.4 in (594 mm)
Fastener Size	M12
Installation Torque	40 ft·lb (54 N·m)
Mechanical Tilt Adjustment	0° - 10°



DM-02 Bracket



DM-02 Mounting Brackets (on Pole)



Two - 65° Antennas Mounted on Pole using DM-02 Brackets (Iso and Top Views)