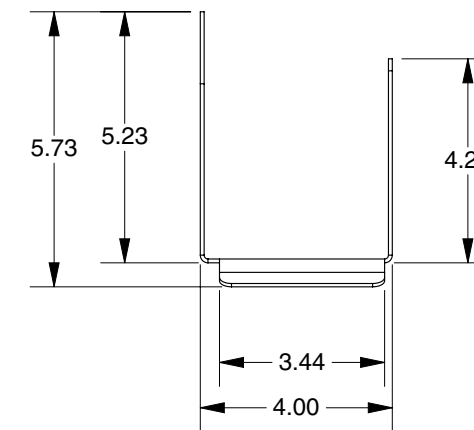
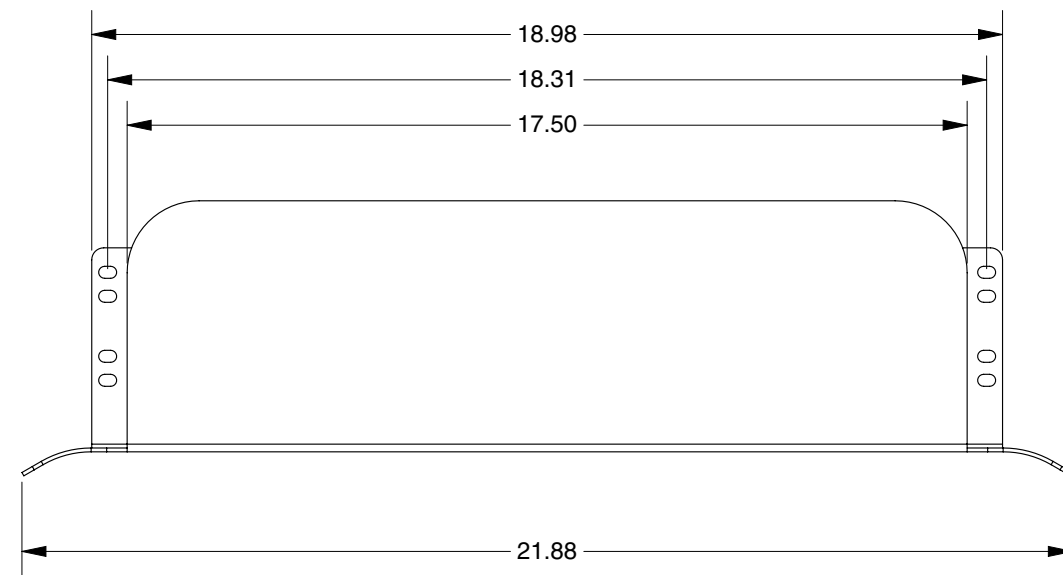
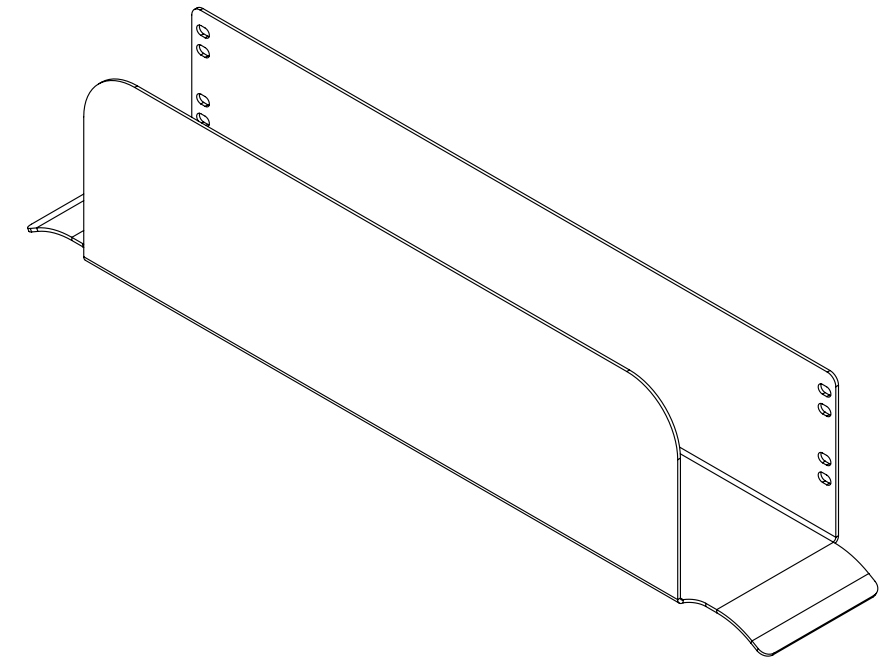


NOTES: (UNLESS OTHERWISE SPECIFIED)

1. CONFORMS IN ACCORDANCE WITH ALL TELECT WORKMANSHIP STANDARDS.
2. DIMENSIONS ARE IN INCHES.
3. DIMENSIONS ARE FOR REFERENCE ONLY.
4. MOUNTING HARDWARE INCLUDED.



A1	---	UPDATED TITLE BLOCK, CORRECTED DESCRIPTION	8/8/2017	TMT
A1	TEX4635	MODIFIED TO REMOVE INTERFERENCES WITH INTERFACING COMPONENTS	12/10/2015	TMT
REV	ECO	DESCRIPTION	DATE	BY

drawing no	customer drawing	rev	units	designed by	date	tolerances (unless otherwise specified)	sheet	sheet size	scale	project	projection
065-EPPB-TOP	BRKT:FO, TOP, CA TROUGH, 6x19	A1	inch	T. TURPIN	12/10/2015	.X ±.060 .XX ±.020 .XXX ±.010	1 of 1	B	NTS	R001	
				drawn by	date	hole size: ±.005 angularity: ±1°					
				T. TURPIN	12/10/2015						



Amphenol Telect