

LCX Distribution Panel

Overview

The Amphenol Network Solutions bulkhead-style fiber optic panels provide cost-effective capabilities in an industry-standard LGX footprint. LCX panels mount in a 19" or 23" rack and range from 2RU to 4RU.

The densities ranging from 96 LC/UPC terminations in a 2U to 288 LC/UPC terminations in a 4RU, LCX panels can support virtually any applications or requirements.

Primary Features

- Bend radius management (panel exit cable arcs)
- Pre-loaded configurations accelerate deployment
- Custom pre-terminated solutions available
- Universal designation label included for circuit tracking
- Shallow chassis design
- IFC/OSP brackets for cable mounting
- LGX footprint adapter plates
- Available with LC, SC or MPO adapters
- MPO breakout, splitter, and WDM modules available
- 19" or 23" mounting brackets

Chassis Densities

RUs	LGX Plates	Max SC Ports	Max LC Ports	Max MPO Ports
2	4	48	96	48
2	6	72	144	72
3	8	96	192	96
4	12	144	288	144

Specifications

Dimensions and Weight		
All Panels	Width	Depth
	17" (432 mm)	11" (280 mm)
		Height
		Weight
2RU patch panel	3.5" (89 mm)	6 lbs. (2.72 kg)
3RU patch panel	5.10" (130 mm)	7 lbs. (3.18 kg)
4RU patch panel	7" (178 mm)	8 lbs. (3.63 kg)
Mechanical		
Enclosure type	Rack-mounted panel	
Capacity	6-1728 fibers based on configuration (See table below)	
Connector type	LC, SC, or MPO	
Material	Aluminum	
Panel mounting	19" or 23"	
Clamping	From 0.2 to 1.2 inches Left or Right	
Temperature	-5° to 55°C	
Compliance		
Agency compliance	NEBS, ETSI, Zone 4 seismic reliability	



Fig. 1: LCX 4RU

Chassis

Description	Part Number	Patch Plates Required
2RU CHASSIS	LCX-M2RU	4
2RU CHASSIS	LCX-M2RU6	6
3RU CHASSIS	LCX-M3RU	8
4RU CHASSIS	LCX-M4RU	12

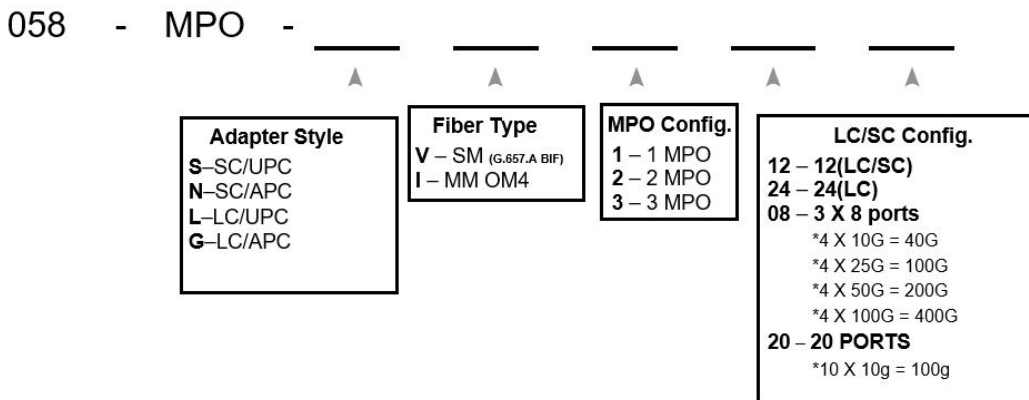


Patch Plates

Description	Part Number
PATCH PLATE, 12-PORT, LC/UPC	055-0000-5010
PATCH PLATE, 24-PORT, LC/UPC	055-0000-5210
PATCH PLATE, 12-PORT, LC/APC	055-0000-5090
PATCH PLATE, 24-PORT, LC/APC	055-0000-5290
PATCH PLATE, 12-PORT, LC MM	055-0000-5012
PATCH PLATE, 24-PORT, LC MM	055-0000-5224
PATCH PLATE, 12-PORT, SC/UPC	055-0000-6210
PATCH PLATE, 12-PORT, SC/APC	055-0000-6270
PATCH PLATE, 6-PORT, MTP/MPO	055-0000-MT06
PATCH PLATE, 8-PORT, MTP/MPO	055-0000-9000
PATCH PLATE, BLANK	055-0000-9000



MPO CASSETTES PARTS CONFIGURATOR



MPO to LC Options for reference:

- ✓ 1 MPO to 12 LCs
- ✓ 1 MPO to 12 SCs
- ✓ 2 MPOs to 24 LCs
- ✓ 1 MPO to 24 LCs
- ✓ 3 MPO8 to 24 LCs
- ✓ 1 MPO20 to 20 LCs

MPO Cassette Examples

Description	Part Number
Singlemode MPO to LC/APC 12-Port, Type A	058-MPO-GV112
Singlemode MPO to LC/UPC 12-Port, Type A	058-MPO-LV112
Singlemode Single MPO to LC/UPC 24-Port	058-MPO-LV124-F
Singlemode Dual MPO to LC/UPC 24-Port	058-MPO-LV224-F
Multimode Dual MPO to LC/UPC 24-Port	058-MPO-LI224-F

