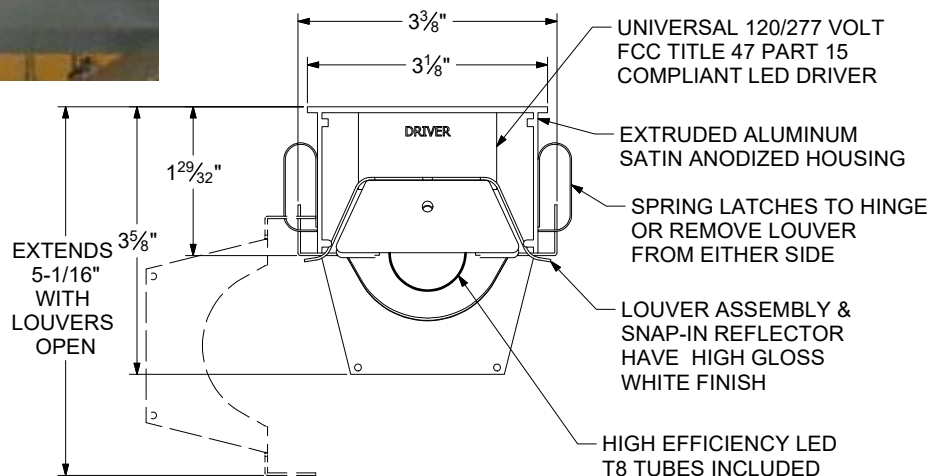




**AIREY-THOMPSON™**  
Manufacturing Quality Luminaires

# 55LED SERIES TELECOMMUNICATION LIGHTING

DATA CENTER / CENTRAL OFFICE APPLICATIONS  
TELCO GRADE / MADE IN USA



## **SPECIFICATIONS:**

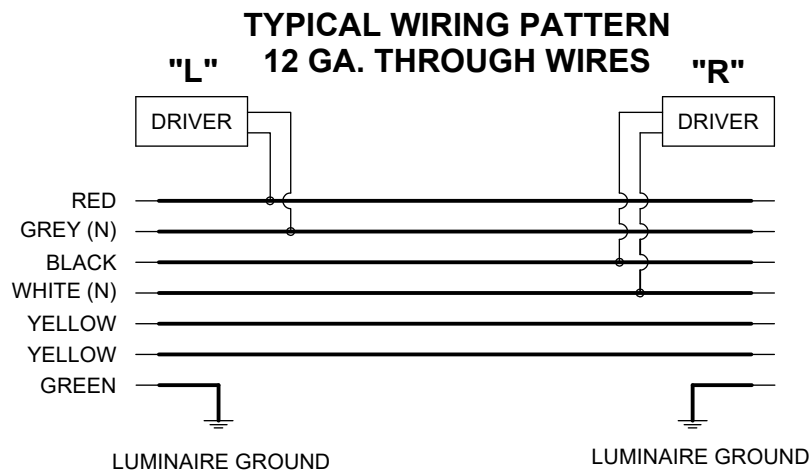
Airey-Thompson 55LED series Luminaire with a cross section of 3-3/8" x 3-5/8" made from extruded aluminum with .060 wall thickness. The luminaire shall be equipped with a powder coated steel louver to protect the lamps. Luminaire must be equipped with an FCC Title 47 Part 15 Class A or B compliant LED driver to prevent RF interference with sensitive data center equipment. The luminaire shall be ETL Listed, have a 5 year warranty and be made in the USA.

## **FEATURES AND BENEFITS:**

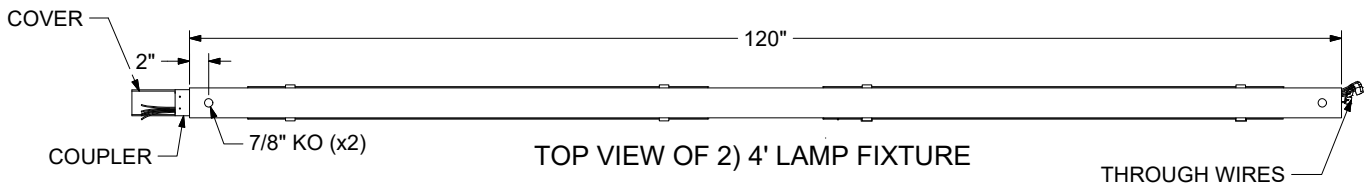
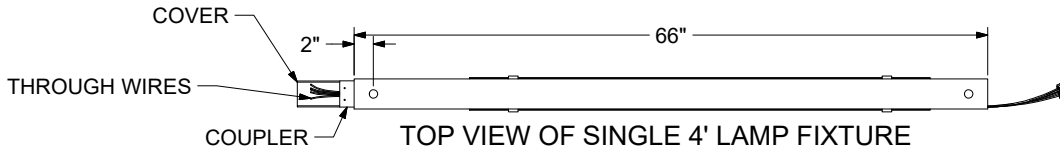
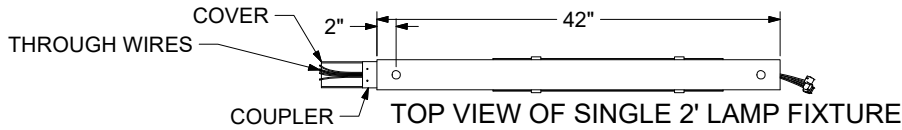
- Extruded anodized aluminum housing with powdercoated protective louver
- LED tubes and drivers provide equivalent light to a fluorescent F32T8 with significant energy savings
- Luminaires can be mounted individually or in continuous rows
- Overlapping snap-in covers on each end of the luminaire provides easy access to coupling and wiring connections necessary for continuous row mounting with minimal disassembly
- Multiple wiring patterns available to match specific requirements and simplify installation
- Wide variety of hangers available to match overhead framing, see hanger guide
- Request a copy the "Introduction to the 55 series" for more installation and wiring information
- All fixtures are ETL listed, 5 year warranty, Made in USA

## HOW TO ORDER

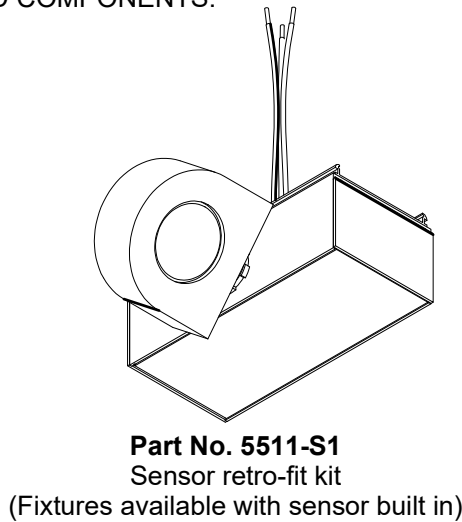
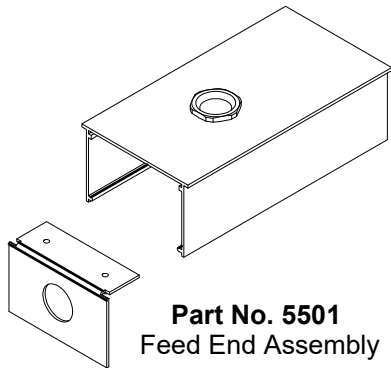
PART NO.	FLUORESCENT EQUIVALENT	LAMP TYPE	WIRING	OAL LENGTH
55LED1WWT84191-42	5511791	(1) 2' LED T8 TUBE	"L"	42"
55LED1WWT84192-42	5511792	"	"L2Y"	"
55LED1WWT84193-42	5511793	"	"R"	"
55LED1WWT84194-42	5511794	"	"R2Y"	"
55LED1WWT84191	5513291	(1) 4' LED T8 TUBE	"L"	5'-6"
55LED1WWT84192	5513292	"	"L2Y"	"
55LED1WWT84193	5513293	"	"R"	"
55LED1WWT84194	5513294	"	"R2Y"	"
55LED2WWT84191	5523291	(2) 4' LED T8 TUBES	"L"	10'
55LED2WWT84192	5523292	"	"L2Y"	"
55LED2WWT84193	5523293	"	"R"	"
55LED2WWT84194	5523294	"	"R2Y"	"



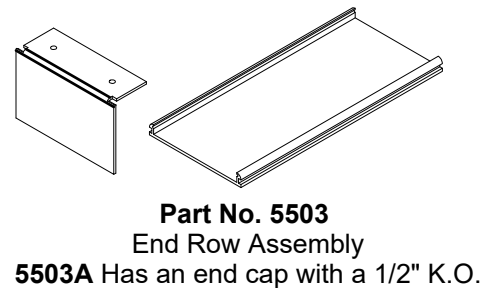
YELLOW WIRES FOR 3-WAY SWITCHING INCLUDED ON "2Y" FIXTURES ONLY



SOME COMMON RELATED COMPONENTS:



**Note:** Regardless of feed location you must use end row assemblies (ordered separately), one at each end of the row. Use a combination of part numbers **5501 & 5503**, or **5503A & 5503**. (Two 5501 assemblies will not work)



**Note:** Two hangers required per fixture, request a Hanger Guide for many more options.

