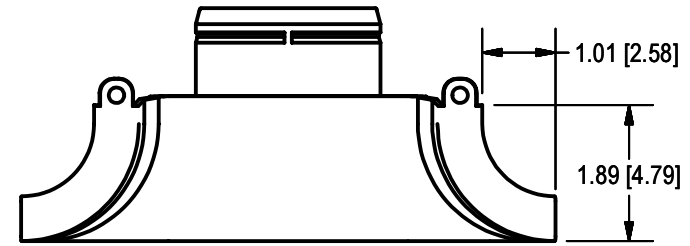


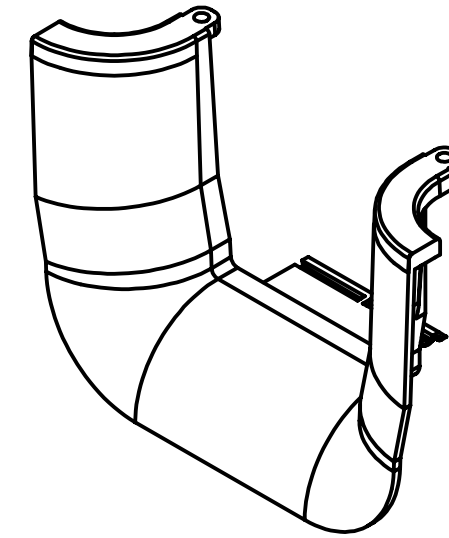
REV	ECO	DESCRIPTION	DATE	BY
-----	-----	-------------	------	----

NOTES: (UNLESS OTHERWISE SPECIFIED.)

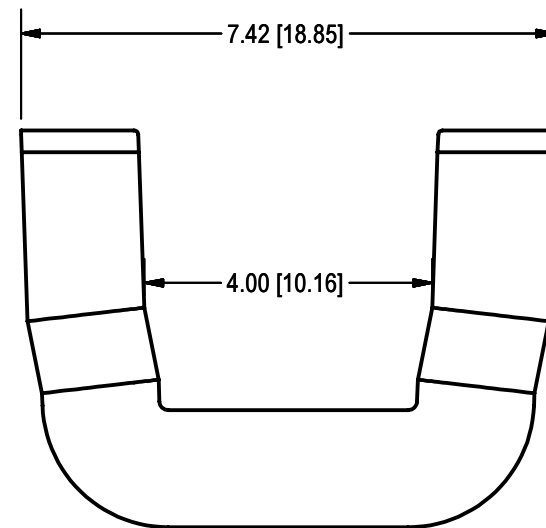
1. DIMENSIONS ARE IN INCHES [CENTIMETERS].
2. DIMENSIONS ARE FOR REFERENCE ONLY.



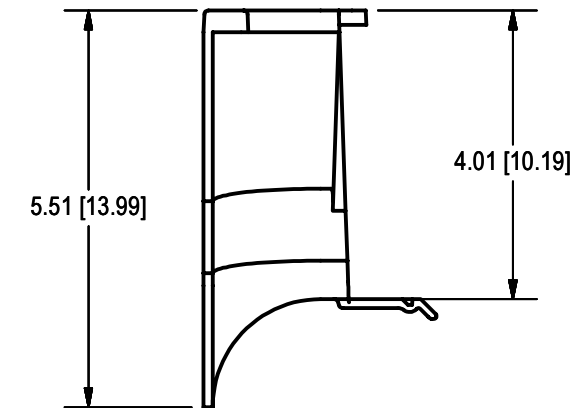
TOP VIEW




ISOMETRIC VIEW



FRONT VIEW



SIDE VIEW

DESIGNED BY TTHOM	DATE 4/25/2000	 CONNECTING THE FUTURE	N 2111 Molter Road PO Box 665 Liberty Lake, Washington 99019 (509) 926-6000	
DRAWN BY T. TURPIN	DATE 8/21/2000		TITLE CUSTOMER DRAWING	
NOT FOR REPRODUCTION COPYRIGHT: 2000 This document contains proprietary information that is property of TELECT, INC., Spokane, Washington. It is intended for the exclusive use of our customer for information, installation, and/or service. The recipient agrees not to reproduce or copy this document or its contents in whole or in part without prior written permission from TELECT, INC. This document must be returned promptly if no longer needed or upon written request from TELECT, INC.		TRUMPET, K44		
DRAWING NO 027-2000-4075		SHEET SIZE B	ISSUE A	
PROJECT 4078	SCALE 0.375 : 1.0	SHEET 1 OF 1	REV 0	