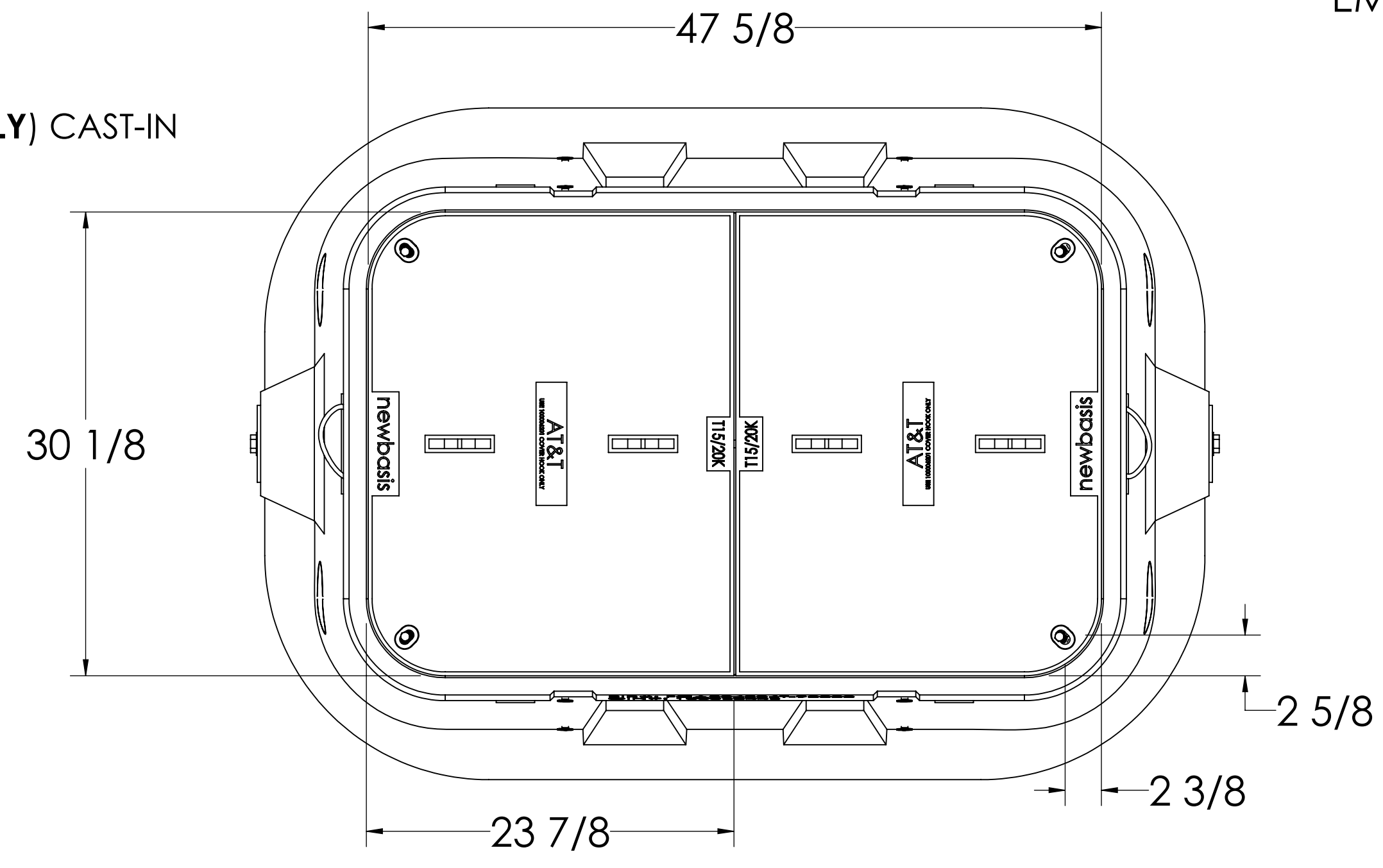
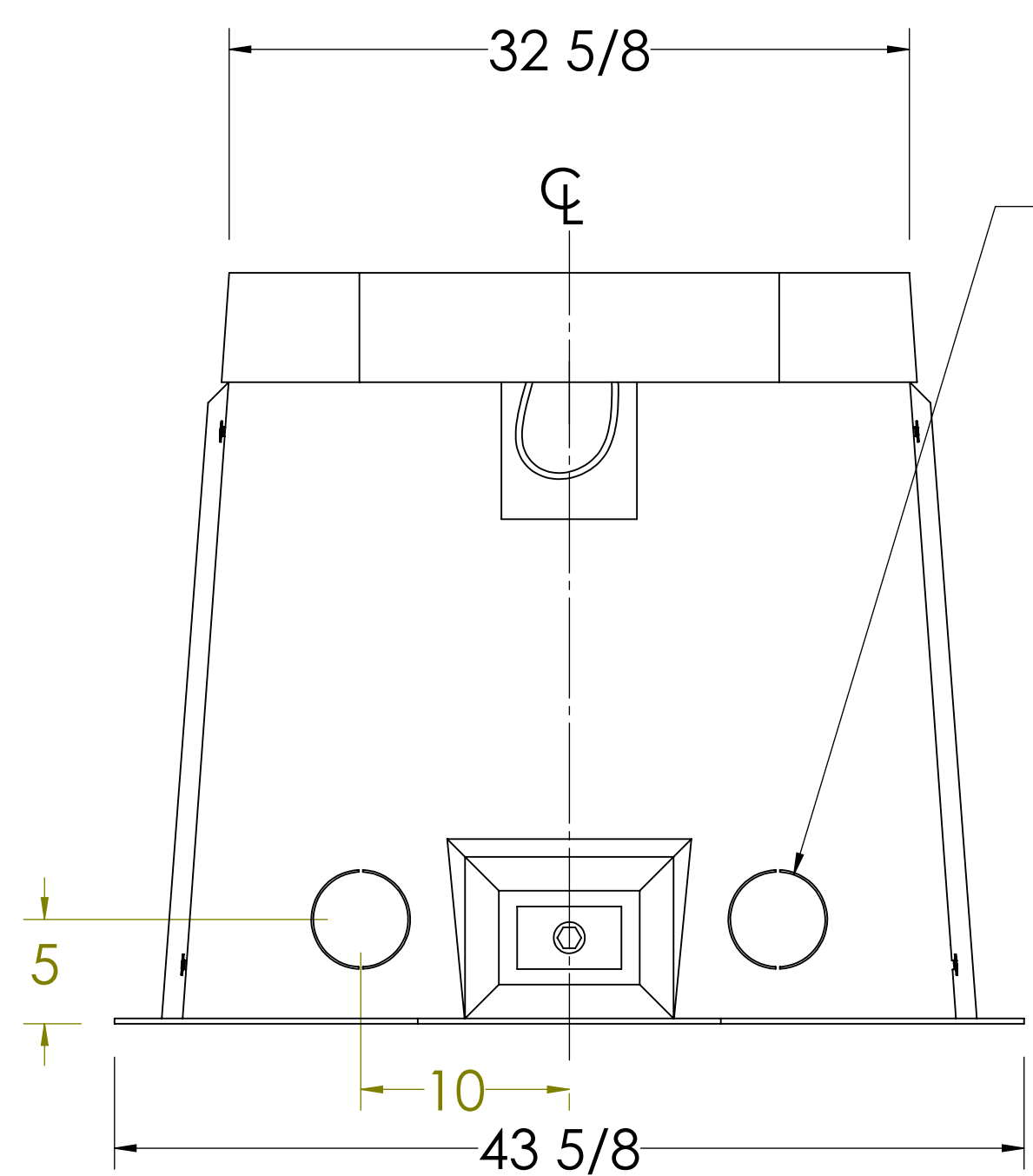


NOTES (UNLESS OTHERWISE SPECIFIED):

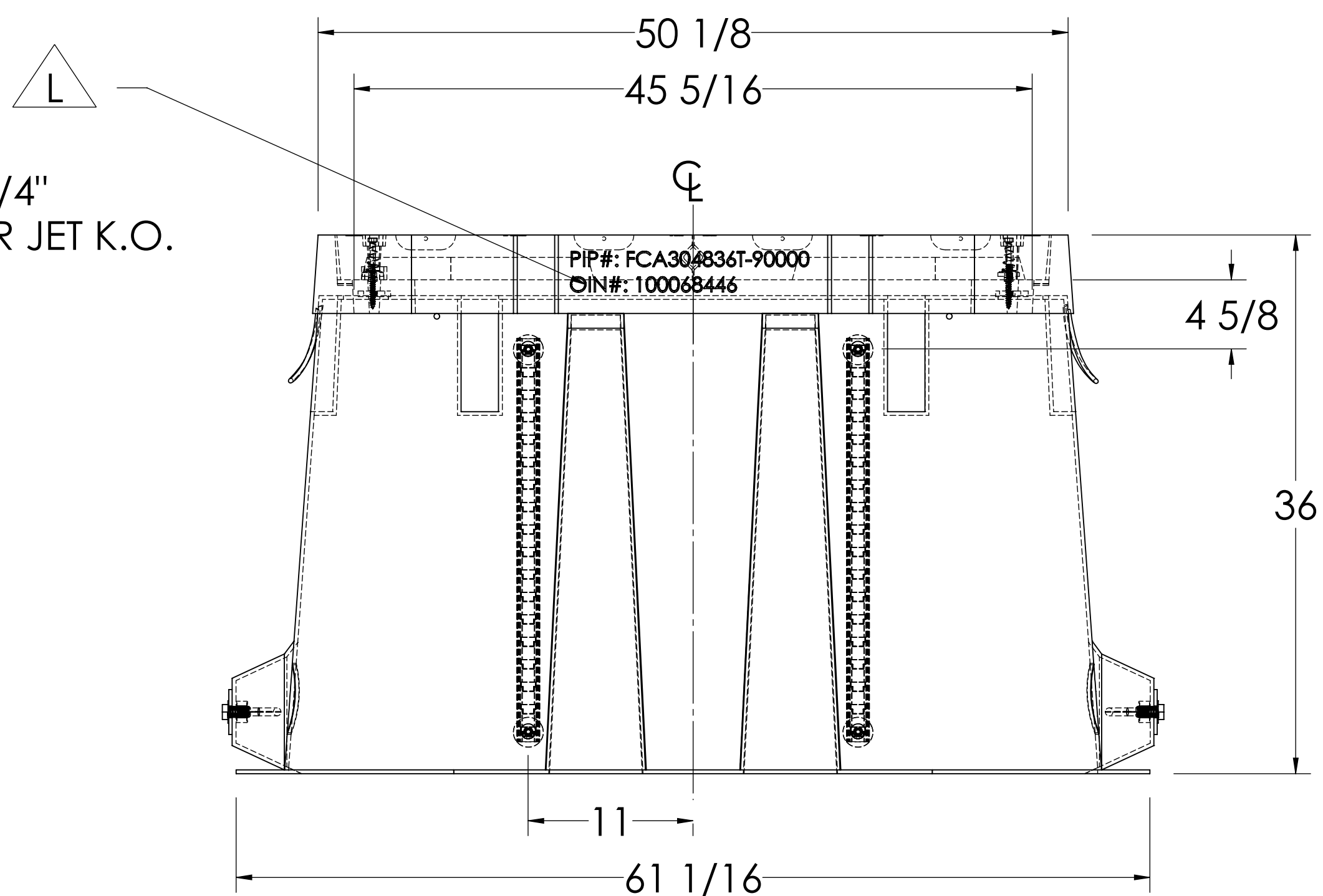
- A. POLYMER CONCRETE/FIBERGLASS ASSEMBLY
- B. TAPERED SIDES
- C. NO FLOOR
- D. ANSI / SCTE 77 - T15/20K
- E. WUC 3.6
- F. 3/8" AUGER TIP HEX BOLTS
- G. SKID RESISTANT COVER, TWO PIECE COVER
- H. TWO ϕ 4 3/4" K.O. (EACH ENDWALL)
- I. ONE PULLING EYE (EACH ENDWALL)
- J. FOUR RACKS (TWO EA SIDE)
- K. CUSTOM (AT&T USE 10006201 COVER HOOK ONLY) CAST-IN
- L \triangle STAMP ASSEMBLY PART NUMBER AS SHOWN
- M. ASSEMBLY WEIGHT: 326 LBS \pm 5%
 - COVER WEIGHT: 66.5 LBS (EACH HALF)
 - BOX WEIGHT: 193 LBS



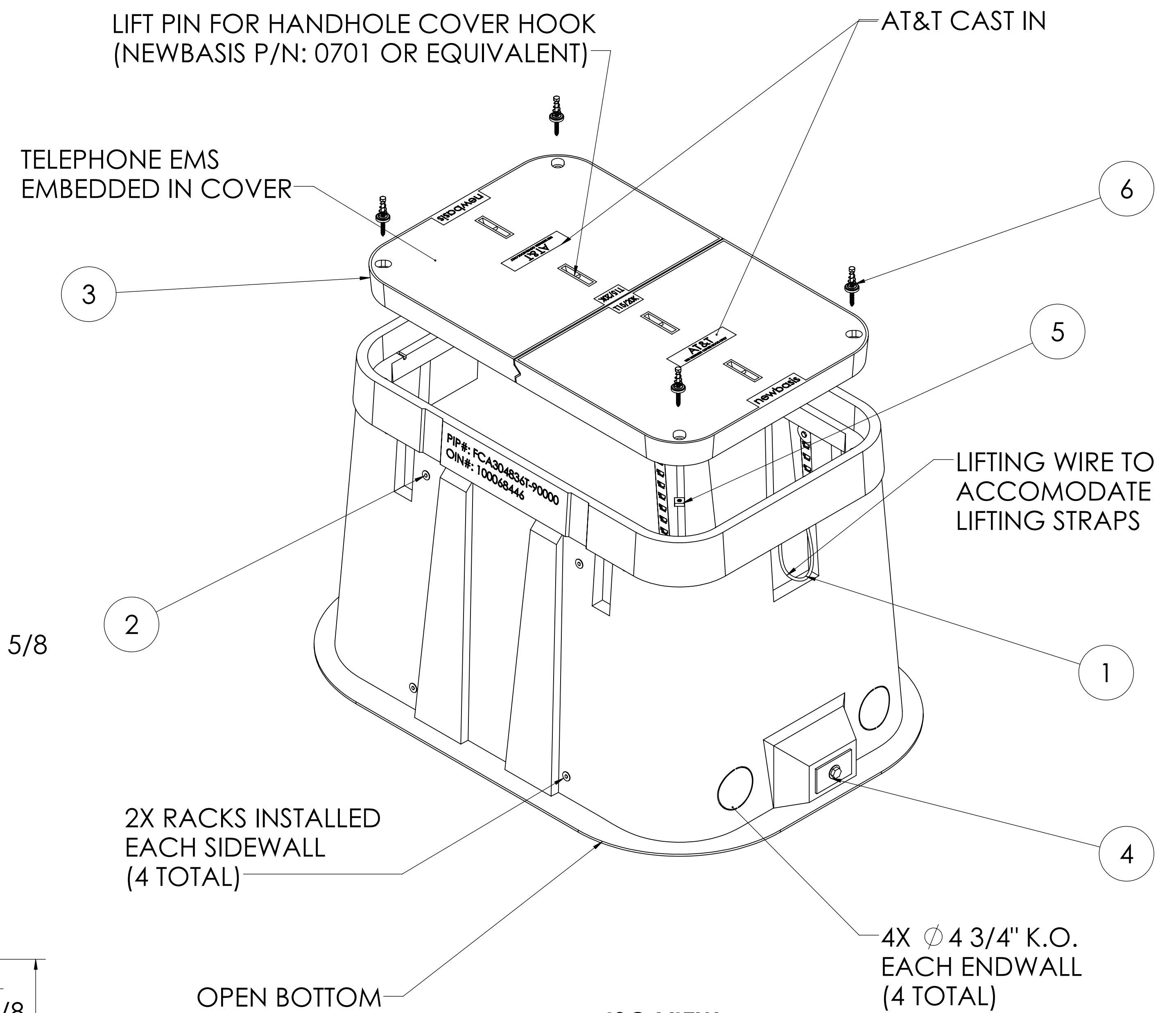
TOP VIEW



END VIEW



SIDE VIEW



ISO VIEW

ITEM NO.	PART NUMBER	DESCRIPTION	QTY.
1	FCB304836TN20-001	FRP BOX	1
2	KITRACK18I	18 HOLE RACK KIT	4
3	PCC3048A2C20-0026T	PC COVER	1
4	KITPEI	PULLING EYE KIT	2
5	0137B	3/8" BRASS NUT	4
6	KITBLTHEXATL	AUGER TIP HEX KIT	4

UNLESS OTHERWISE SPECIFIED:
 DIMENSIONS ARE IN INCHES
 TOLERANCES:
 FRACTIONAL MOLDED: \pm 1/16
 FRACTIONAL FABRICATED: \pm 1/8
 ANGULAR: \pm 0.5°
 ONE PLACE DECIMAL: \pm .1
 TWO PLACE DECIMAL: \pm .03
 THREE PLACE DECIMAL: \pm .003
 INTERPRET GEOMETRIC TOLERANCING PER: ASME Y14.5

DRAWN	OR	NAME	DATE
APPROVED			7/25/2023
MATERIAL:	FRP PC3000		

newbasis 2626 Kansas Ave. Riverside, CA 92507 (951)787-0600 newbasis.com

PART NO. **FCA304836T-90000**

DESCRIPTION: FRP/POLYMER CONCRETE ASSY.

OIN#: 100068446



newbasis
 2626 Kansas Avenue
 Riverside, California 92507
 951.787.0600
 newbasis.com