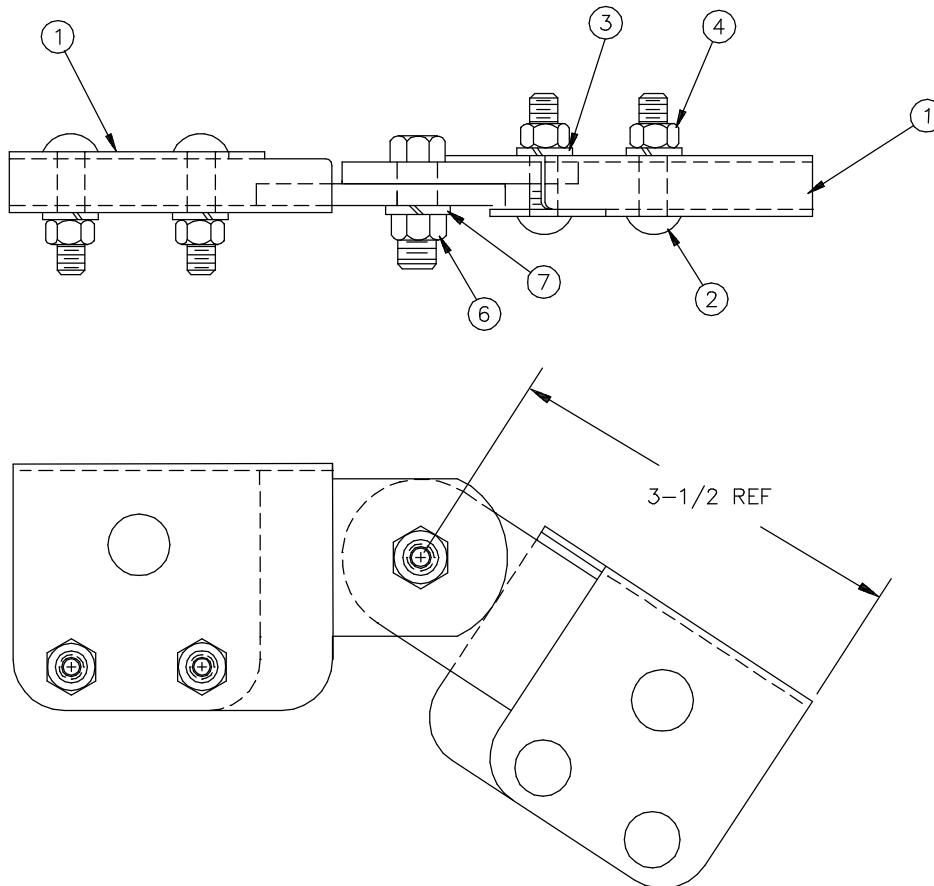


PIVOT ASSEMBLY

	Part Number	Guard rail
Ordering Table	2118990110	8"
	2118990210	9"
	2118990410	

	Item	Qty	Description
Stock List	1	2	clamp assembly
	2	4	carriage bolt
	3	4	1/4 lock washer
	4	4	1/4-20 hex nut
	5	1	3/8-16 hhcs
	6	1	3/8-16 hex nut
	7	1	3/8 lock washer



Notes:
1. Some text.