



YAZV102TC1490, Compression Terminal, #14-10 AWG Cu, 2-Hole, 1/4" Stud, 5/8" Spacing, Long Barrel, 90 Degree

By Burndy
Catalog # [YAZV102TC1490](#)

14-10 AWG CU, Two Hole, 1/4 Stud Size, 5/8 Hole Spacing, Long Barrel, Inspection Window Internal Chamfer, Tin Plated, UL/CSA, 90°C, Up to 35kV.

Features

- Barrel is designed with an internal chamfer at the wire entry to ensure smooth insertion of the wire, preventing possible damaging of the strands
- Electro-tin plated unless otherwise specified to reduce galvanic corrosion (bimetallic) and resist corrosive elements
- Connectors are clearly marked with stamping and barrel color coding

Application

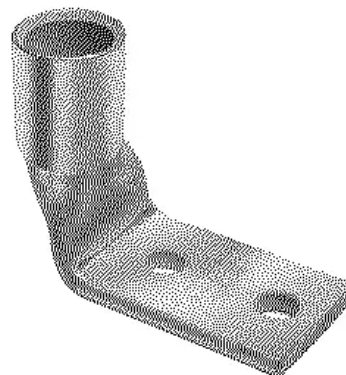
Wire Termination

General

Catalog Number	YAZV102TC1490
Connector Type	LONG BARREL
Feature - Barrel Style	Skived
Feature - Barrel Type	Long
Finish Type	Tin-Plated
Material	COPPER
Physical Attribute - Number of Holes	2
Physical Attribute - Tongue Type	Standard
Plated	Y
Plating Type	Tin - Electro Plated
Trade Name	HYLUG™
Type	Long Barrel, Skive, Tin Plated
UPC	781810196892
UPC 12 Digit	7818101968922

Dimensions

Dimension - B Length fraction	11/16 in
Dimension - B Length inch	0.69 in
Dimension - Bolt Hole Size inch	0.27 in
Dimension - Bolt Size fraction	1/4
Dimension - Bolt Size inch	0.25
Dimension - Height inch	0.94 in
Dimension - Hole Size fraction	1/4
Dimension - Hole Size inch	0.27



Dimension - Hole Size mm	6.9 mm
Dimension - L Length Overall mm	37 mm
Dimension - Length Overall inch	1.45 in
Dimension - N inch	0.31 in
Dimension - Outside Diameter inch	0.21 in
Dimension - Pad Width inch	0.41 in
Dimension - Strip Length inch	3/4
Dimension - Stud Size fraction	1/4
Dimension - Z (inch)	0.34 in
Physical Attribute - Tongue Angle	90 Degree

Electrical Ratings

Voltage - Maximum	35000
Voltage Rating	35 kV

Conductor Related

Conductor - Copper Str Size	14 AWG-10 AWG
Conductor - Material	COPPER
Conductor Size	14-10 AWG
Conductor Type	CODE

Certifications And Compliance

Certification - CSA Approved	Yes
Certification - ETL	No
Certification - UL Recognized	No
Certification - cULus	No
Industry Standard(s)	UL 486A-486B
Standards - RoHS Compliance Status	CM
UL Listed	Yes

Logistics

Carton Quantity	50
Minimum Pack Quantity	1

Product Assets

[3D Models - YAZV102TC1490_MODEL-PDF](#)
[3D Models - YAZV102TC1490_MODEL-STEP](#)
[3D Models - YAZV102TC1490_MODEL-IGES](#)

[Catalogs - BURNDY Master Catalog - Full Line BURNDY Catalog](#)
[Interactive Catalog - BURNDY Full-Line Digital Catalog](#)
[Sales Drawings - SE..211915-01](#)
[Specifications - YAZV102TC1490](#)
[Video - HYDENT Compression Terminal Overview Video](#)



A Hubbell brand

©2024 Hubbell Incorporated. All rights reserved
BRDY-YAZV102TC1490-SPEC-EN | REV 10/2024