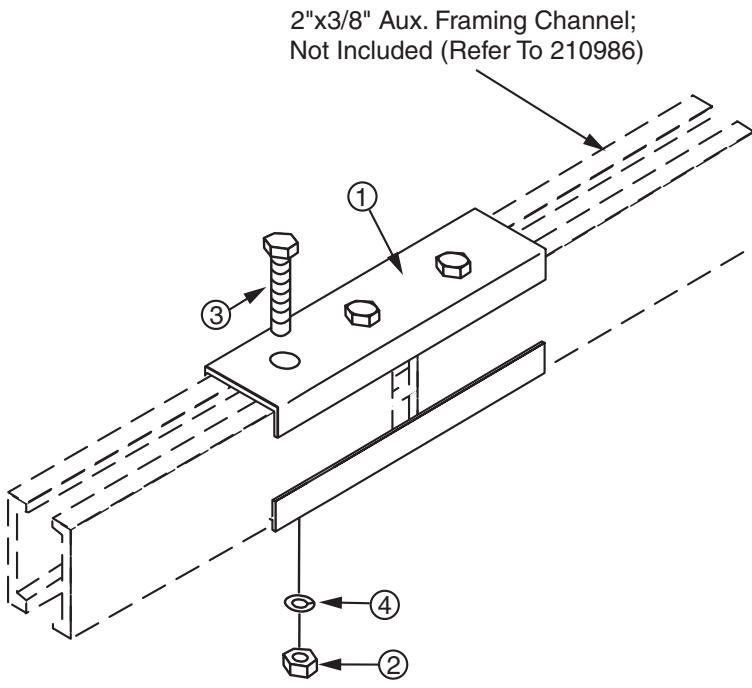


SPLICING PARALLEL AUXILIARY FRAMING, 3 BOLT

Modified:09/22/2009



	part number	aux
Ordering	21099600xx	channel

	item	qty.	description
Stock List	1	3	5/8" hhcs
	2	3	5/8" nut
	3	2	clamp
	4	3	5/8" lock washer

Notes:

- Finish is zinc plated and gold chromate, finish code 10.