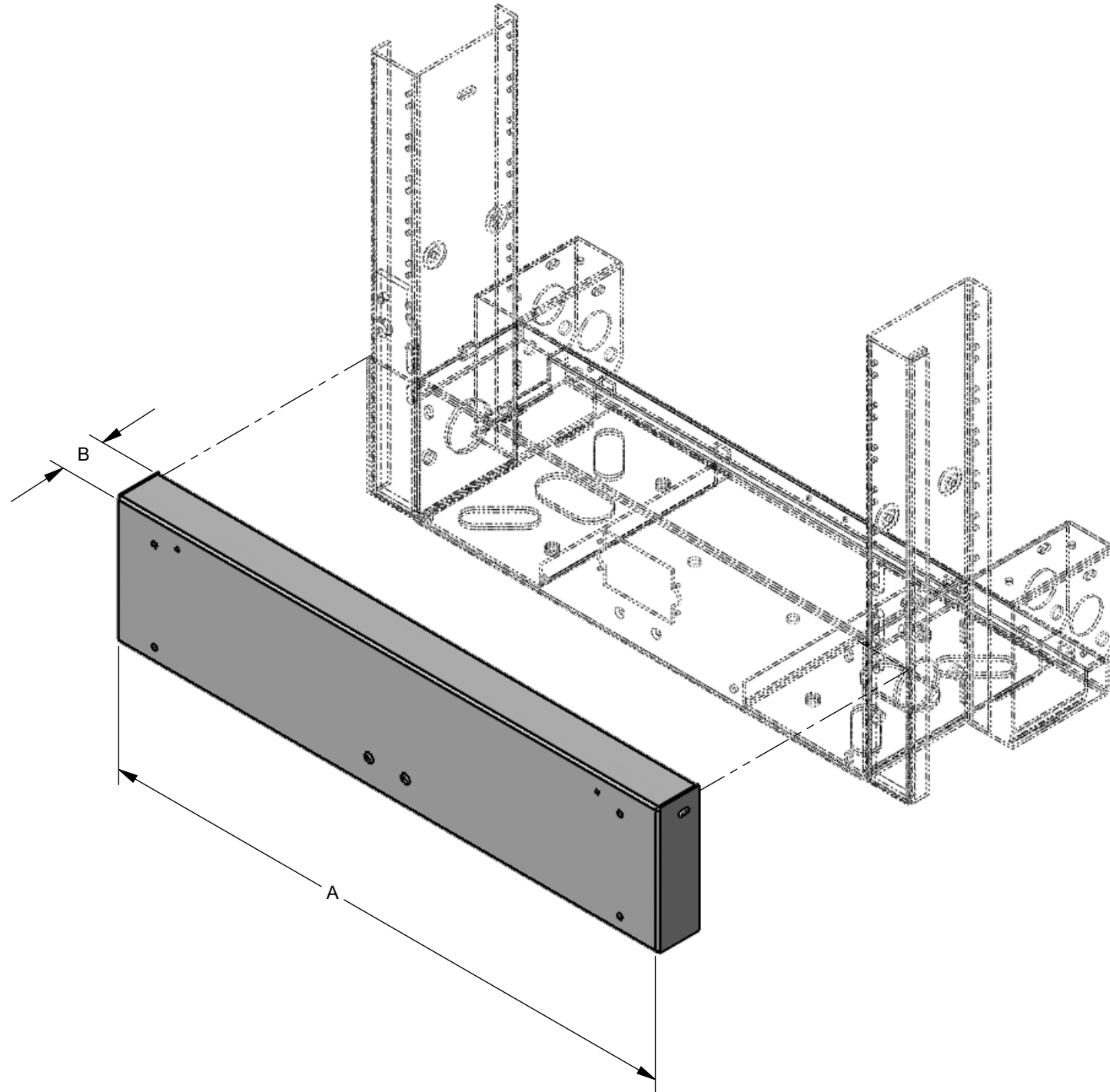


PART NUMBER	DIM "A"	DIM "B"
02122-01	22.38	5.00
02122-02	26.38	5.00
02122-03	22.38	2.00
02122-04	26.38	2.00
02122-05	21.94	2.00
02122-06	25.94	2.00
02122-07	21.94	5.00
02122-08	25.94	5.00
02122-10	26.38	1.00
02122-11	26.38	8.00
02122-12	21.94	1.00
02122-13	25.94	1.00
02122-14	25.94	8.00
02122-15	21.94	8.00
02122-17	25.94	4.00
02122-18	21.94	4.00
02122-40	25.94	16.00
02122-44	25.94	3.00
02122-51	22.38	5.00
02122-52	26.38	5.00

REV	ECO	DESCRIPTION	DATE	BY
A1		UPDATE SHEET FORMATTING	7/1/2016	BWK
A1	---	CORRECT -40 DIMENSION B FROM 3" TO 16"	3/7/2011	BLF
A1	---	ADDED PHANTOM VIEW OF RACK	8/8/2006	MKS

drawing no <b>02122-XX</b>	customer drawing UF BASE GUARD BOX	rev A1	units inch	designed by M. SCHULZ	date 8/8/2006	tolerances (unless otherwise specified) .X ±.060 .XX ±.020 .XXX ±.010	hole size: ±.005 angularity: ±1°	sheet 1 of 2	sheet size B	scale NTS	project	projection 		
-------------------------------	---------------------------------------	-----------	---------------	--------------------------	------------------	--	-------------------------------------	-----------------	-----------------	--------------	---------	----------------	--	--

CONFIDENTIAL NOT FOR REPRODUCTION  
 copyright 2016  
 telect.com :: 1.509.926.6000



PART NUMBER	DIM "A"	DIM "B"
02122-21	22.38	5.00
02122-22	26.38	5.00
02122-23	22.38	2.00
02122-24	26.38	2.00
02122-25	21.94	2.00
02122-26	25.94	2.00
02122-27	21.94	5.00
02122-28	25.94	5.00
02122-31	26.38	8.00
02122-32	21.94	1.00
02122-33	25.94	1.00
02122-34	25.94	8.00
02122-35	21.94	8.00
02122-37	25.94	4.00
02122-38	21.94	4.00

-	-	See Sheet1	-	-
REV	ECO	DESCRIPTION	DATE	BY

drawing no 02122-XX	customer drawing UF BASE GUARD BOX	rev A1	units inch	designed by M. SCHULZ	date 8/8/2006	tolerances (unless otherwise specified) .X ±.060 .XX ±.020 .XXX ±.010	hole size: ±.005 angularity: ±1°	sheet 2 of 2	sheet size B	scale NTS	project	projection 			A 1
------------------------	---------------------------------------	-----------	---------------	--------------------------	------------------	--	-------------------------------------	-----------------	-----------------	--------------	---------	----------------	--	--	-----

CONFIDENTIAL NOT FOR REPRODUCTION copyright 2016 telect.com :: 1.509.926.6000