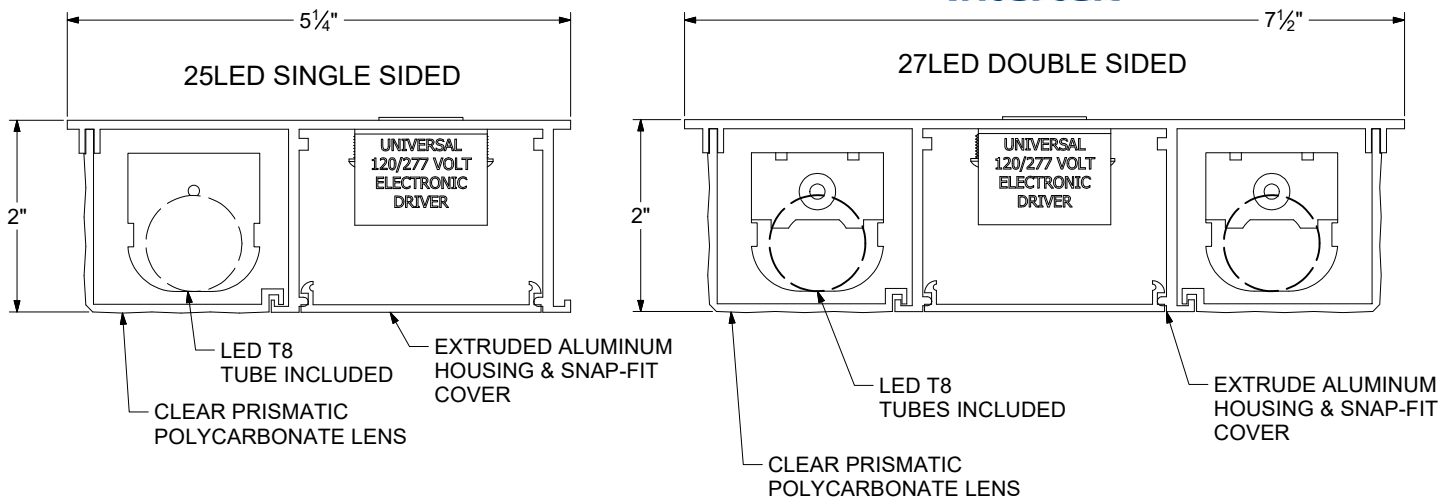


## 25LED & 27LED SERIES TELECOMMUNICATION LIGHTING DATA CENTER / CENTRAL OFFICE APPLICATION



The 25LED and 27LED series are high performance, energy efficient lighting systems designed specifically for telecommunication Data Centers and Central Office applications. These systems offer a variety of wiring options to best match your needs. A wide variety of hanger brackets are available to match the overhead framing already in place to make installation a breeze! Single sided luminaires available for standard installations and Double sided for when more light is desired. All luminaires are proudly made in the USA.



### **SPECIFICATION:**

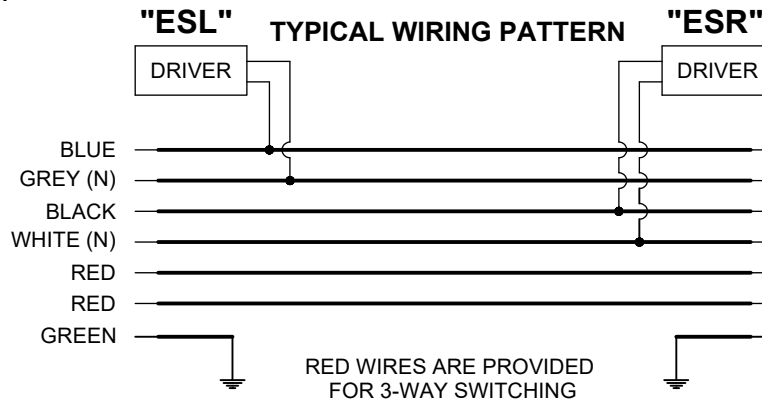
The LED luminaire shall be Airey-Thompson Co. 25LED or 27LED having a profile of no more than 2" depth. The housing shall be extruded aluminum with nominal wall thickness of .060", the diffuser must be high impact polycarbonate. The LED driver must be universal voltage (120/277v), FCC Title 47 CFR Part 15 Class A or B compliant to prevent RF Interference that can effect sensitive data center equipment. The Luminaire must be ETL Listed, have a 5 year warranty and be made in the USA.



## HOW TO ORDER

PART NO.	FLUORESCENT EQUIVALENT	"A" DIM	LAMP TYPE	WIRING	VOLTAGE
25LED1WWT841912-24	25117912	24"	(1) 2' LED T8 TUBE	"ESL"	120/277
25LED1WWT841932-24	25117932	24"	(1) 2' LED T8 TUBE	"ESR"	120/277
25LED1WWT841912	25132912	48"	(1) 4' LED T8 TUBE	"ESL"	120/277
25LED1WWT841932	25132932	48"	(1) 4' LED T8 TUBE	"ESR"	120/277
25LED2WWT841912	25232912	96"	(2) 4' LED T8 TUBE	"ESL"	120/277
25LED2WWT841932	25232932	96"	(2) 4' LED T8 TUBE	"ESR"	120/277
27LED2WWT841912-24	27217912	24"	(2) 2' LED T8 TUBE	"ESL"	120/277
27LED2WWT841932-24	27217932	24"	(2) 2' LED T8 TUBE	"ESR"	120/277
27LED2WWT841912	27232912	48"	(2) 4' LED T8 TUBE	"ESL"	120/277
27LED2WWT841932	27232932	48"	(2) 4' LED T8 TUBE	"ESR"	120/277
27LED4WWT841912	27432912	96"	(4) 4' LED T8 TUBE	"ESL"	120/277
27LED4WWT841932	27432932	96"	(4) 4' LED T8 TUBE	"ESR"	120/277

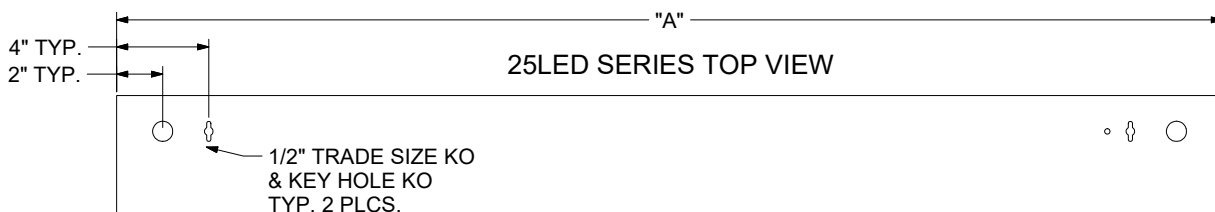
"WW" IN THE PART NO. = LAMP WATTAGE. LAMP WATTAGE, WILL BE DESCRIBED IN THE FIXTURE DESCRIPTION. THE STATE OF THE ART IN LED TECHNOLOGY IS RAPIDLY EVOLVING. AS EFFICIENCY INCREASES FEWER WATTS ARE REQUIRED TO GENERATE A SIMILIAR AMOUNT OF LIGHT. BY USING "WW" IN THE PART NUMBER, THE PART NUMBER CAN STAY THE SAME, AS WE CONTINUE TO MAKE IMPROVEMENTS.



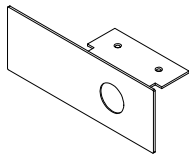
### FEATURES AND BENEFITS

- Extruded 6063-T5 aluminum housing and cover, 0.060 minimum wall thickness, no visible fasteners, Satin anodized aluminum finish.
- LED T8 tubes and matching universal voltage FCC Title 47 Part 15 compliant driver included.
- Provides equivalent light to an F17T8/F32T8 fluorescent with significant energy savings.
- High impact, clear prismatic, extruded polycarbonate lens provides a higher flame rating than acrylic.
- Easy installation and wiring. Push on wire connectors and snap off wiring compartment cover standard.
- Fixtures may be mounted individually or in continuous rows.
- Fixtures are shipped without end caps and with internal coupler for continous row mounting, chase nipples are not required.
- All luminaires are ETL listed, have 5 year warranty and made in the USA.

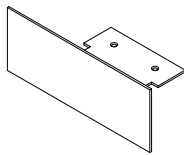
# 25LED & 27LED SERIES TELECOMMUNICATION LIGHTING DATA CENTER / CENTRAL OFFICE APPLICATION



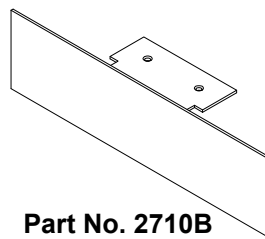
## SOME COMMON RELATED COMPONENTS: (Request a Hanger Guide for many more options)



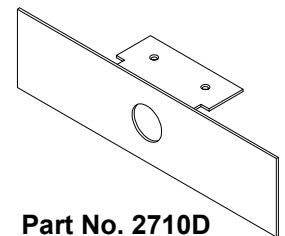
**Part No. 2510L**  
Left hand feed end cap



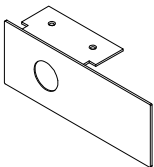
**Part No. 2510LB**  
Left hand blank end cap



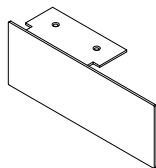
**Part No. 2710B**  
Blank end cap



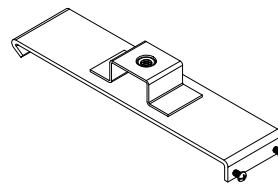
**Part No. 2710D**  
Feed end cap



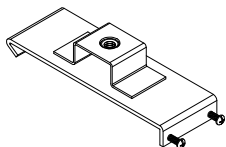
**Part No. 2510R**  
Right hand feed end cap



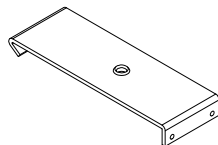
**Part No. 2510RB**  
Right hand blank end cap



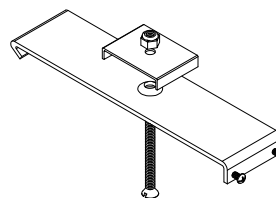
**Part No. 2702-(3/8 or 5/8)D**  
Drop rod hanger for 3/8 or 5/8"



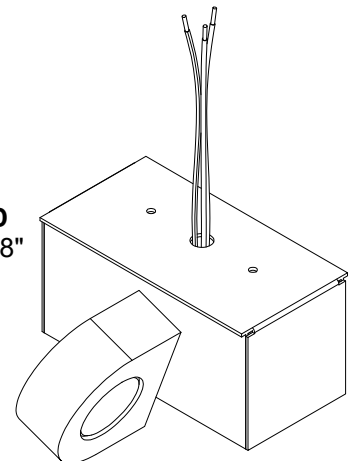
**Part No. 2502-(3/8 or 5/8)D**  
Hanger for 3/8 or 5/8" drop rod



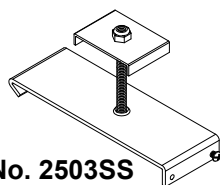
**Part No. 25020**  
Basic hanger bracket



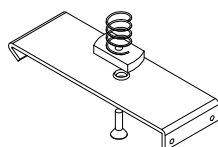
**Part No. 2703DS**  
Aux bar hanger



**Part No. 2711-S1**  
Sensor retro-fit kit



**Part No. 2503SS**  
Aux bar hanger



**Part No. 2503U**  
Unistrut Hanger

**NOTE: Component must start with same prefix as fixture either 25 or 27 in order to fit**