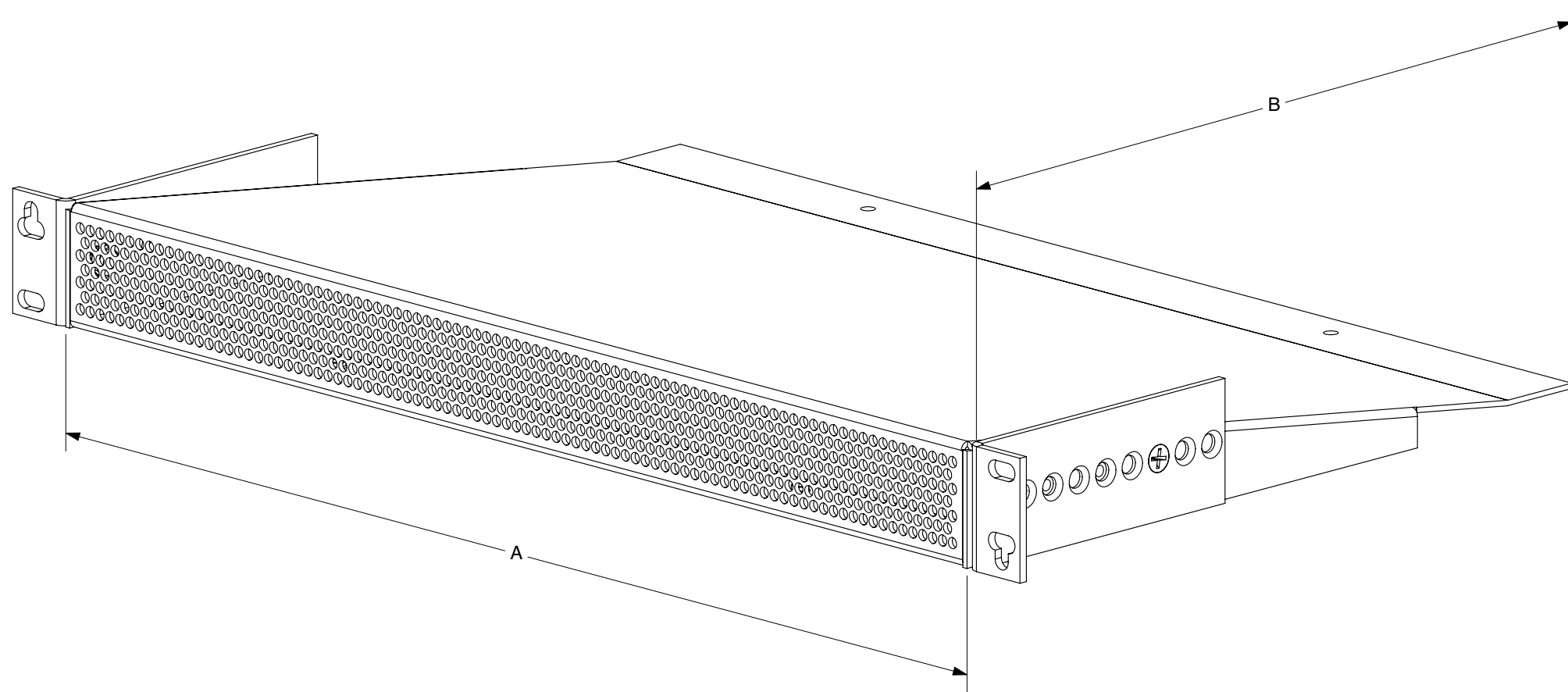


NOTES: (UNLESS OTHERWISE SPECIFIED):



1. DIMENSIONS ARE IN INCHES.
2. DIMENSIONS ARE FOR REFERENCE ONLY
3. STANDARD FEATURES:

ALL NECESSARY MOUNTING HARDWARE IS INCLUDED



A1		FIXED THE REVISION	7/28/2017	AMG
A0		UPDATED SHEET FORMAT AND REMOVED EOL PARTS	07/05/2016	BWK
REV	ECO	DESCRIPTION	DATE	BY

PART NUMBER	DIM "A"	DIM "B"
02164-01	17.00	13.00
02164-02	21.00	13.00
02164-05	17.00	11.50
02164-12	17.00	14.50
02164-15	17.00	10.00

drawing no	fabrication drawing	rev	units	designed by	date	tolerances (unless otherwise specified)	sheet	sheet size	scale	project	projection		
02164-XX-CUST	AIR DEFLECTOR	A1	inch	drawn by J. POLLACK	date 03/29/2005	.X ±.060 hole size: ±.005 .XX ±.020 angularity: ±1° .XXX ±.010	1 of 1	B	NTS	R002	