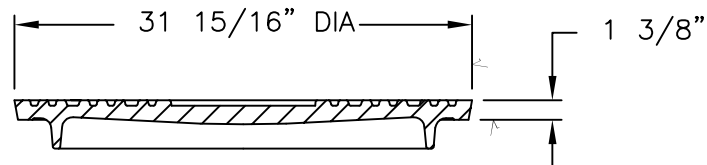
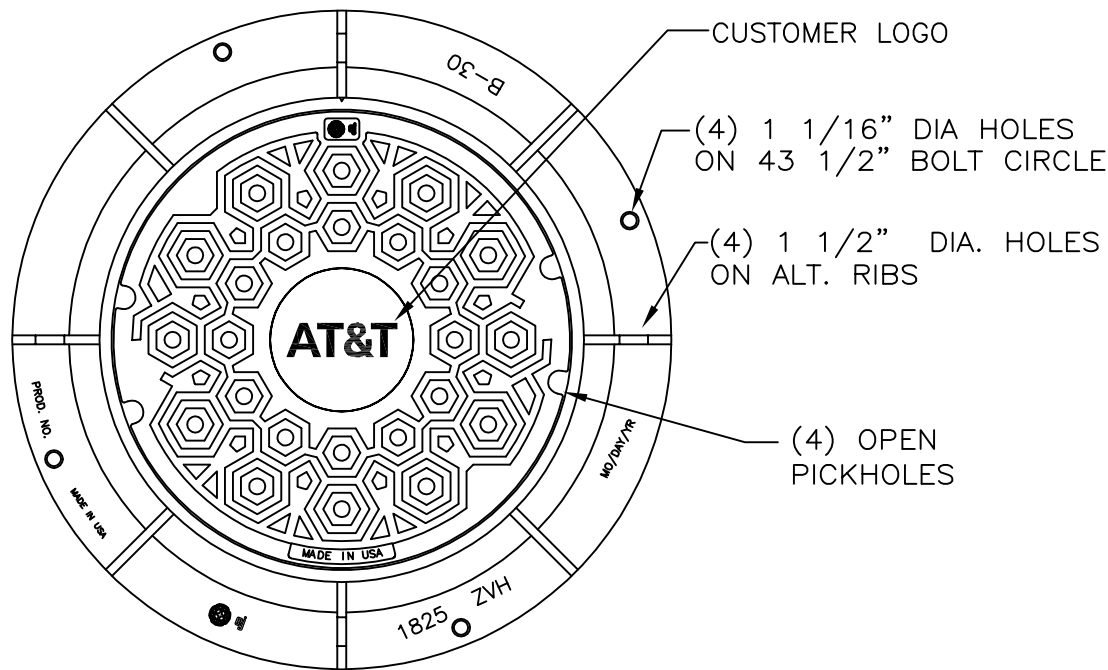
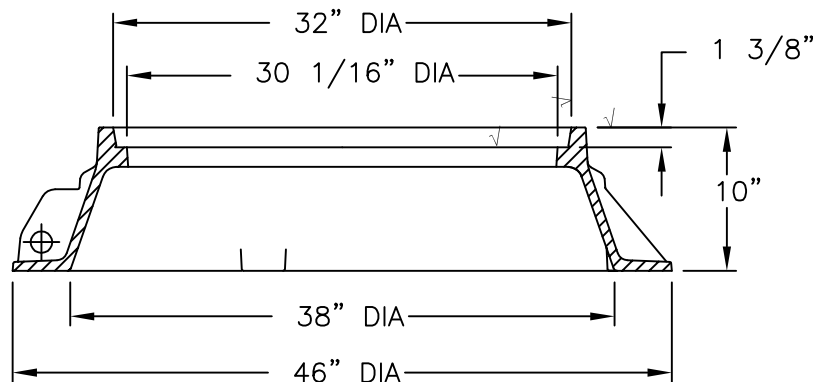


# 1810A1VH 1825ZVH Assembly



COVER SECTION



FRAME SECTION

## Product Number

00182560

## Design Features

-Materials

- Cover  
Gray Iron (CL35B)
- Frame  
Gray Iron (CL35B)

-Load Rating

Extra Heavy Duty

-Open Area

n/a

-Coating

Undipped

-√ Designates Machined Surface

## Certification

- ASTM A48

-Country of Origin: USA

## Major Components

00180896

00182511

## Drawing Revision

06/20/2005 Designer: DEW

9/3/2019 Revised By: DAE

## Disclaimer

Weights (lbs./kg) dimensions (inches/mm) and drawings provided for your guidance. We reserve the right to modify specifications without prior notice.

CONFIDENTIAL: This drawing is the property of EJ GROUP, Inc., and embodies confidential information, registered marks, patents, trade secret information, and/or know how that is the property of EJ GROUP, Inc. Copyright © 2011 EJ GROUP, Inc. All rights reserved.

## Contact

800 626 4653

ejco.com