

4

3

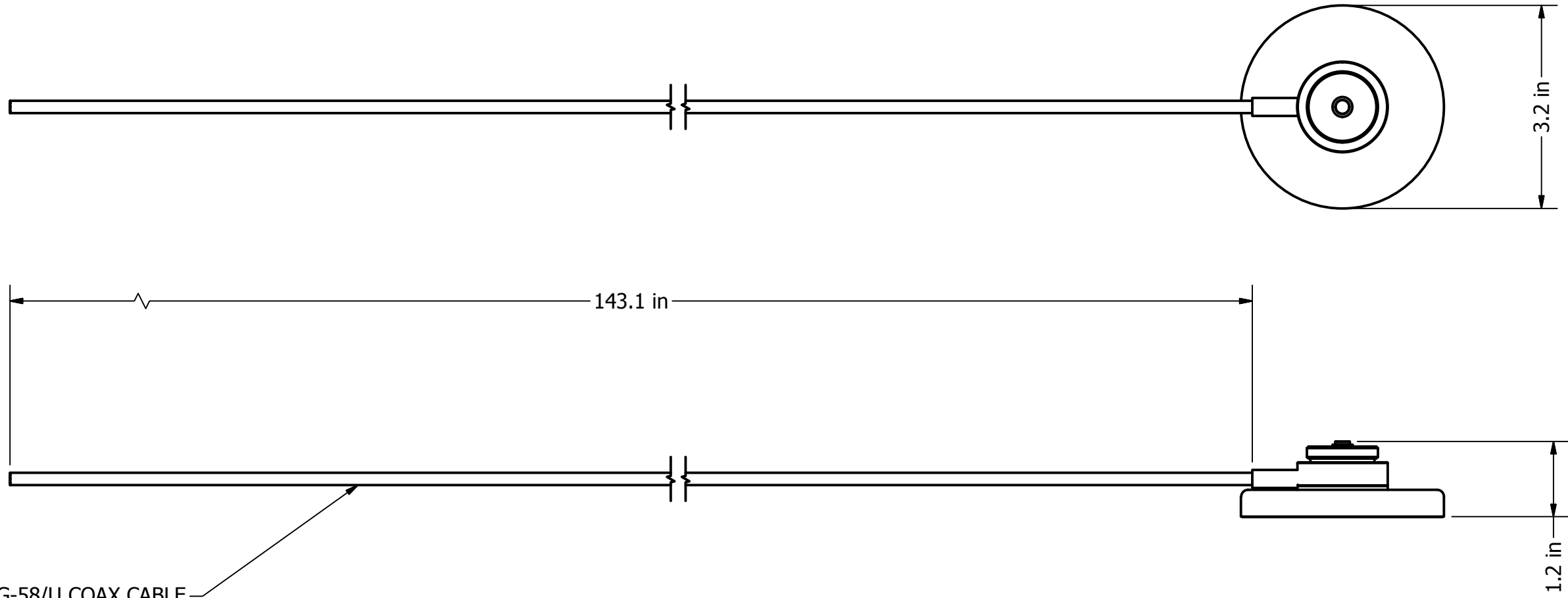
2

1

NOTES: UNLESS OTHERWISE SPECIFIED

- 1. A (REF) DIMENSION IS FOR INFORMATION PURPOSES ONLY AND NO TOLERANCE IS IMPLIED.
- 2. AVAILABLE IN BLACK OR CHROME

REVISION HISTORY			
REV	DESCRIPTION	DATE	APPROVED
A	OUTLINE DIMENSIONAL DRAWING RELEASED	7/19/2017	CV



RG-58/U COAX CABLE

SUPPLIER PRINT ACCEPTANCE:

Accept drawing/specification: No changes needed:

This part is RoHS compliant

This part is REACH compliant

Accept drawing/specification. Notes/Mark-ups added

Cannot accept drawing/spec. Notes/Mark-ups added

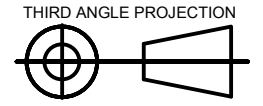
Supplier Projected Outgoing Quality:

SIGMA LEVEL : \_\_\_\_\_ or PPM: \_\_\_\_\_

Signature \_\_\_\_\_ Date: \_\_\_\_\_

UNLESS OTHERWISE SPECIFIED DIMENSIONS ARE IN MILLIMETERS

FOR TOLERANCES NOT SPECIFIED USE:  
 [X mm ± 3 mm] [X.X mm ± .3 mm]  
 [X.XX mm ± .13 mm] ANGULAR ± 1°



DRAWN CV DATE 7/19/2017

CHECKED \_\_\_\_\_ DATE \_\_\_\_\_

MATERIAL: \_\_\_\_\_

FINISH: \_\_\_\_\_



PCTEL, INC.  
 471 BRIGHTON DRIVE  
 BLOOMINGDALE, IL 60108  
 PH. 630-372-6800  
 FAX. 630-372-8077

DESCRIPTION "G" MAG MOUNT, 12' RG58/U CABLE, NO CONNECTOR, CHROME

DRAWING NO. ODD\_GC-NC

SIZE B SCALE 1:1 SHEET 1 OF 1

4

3

4

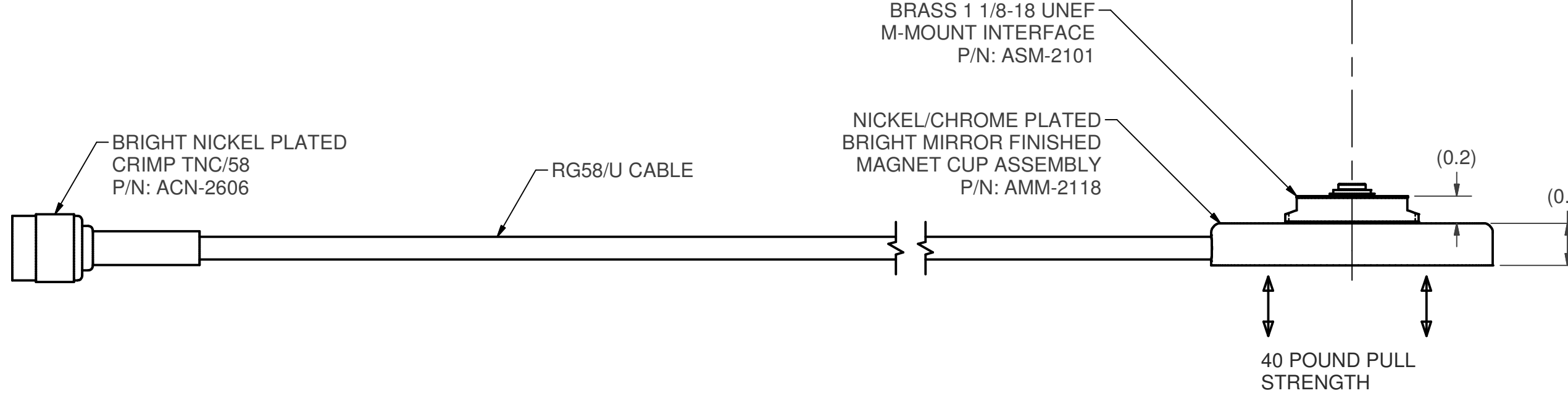
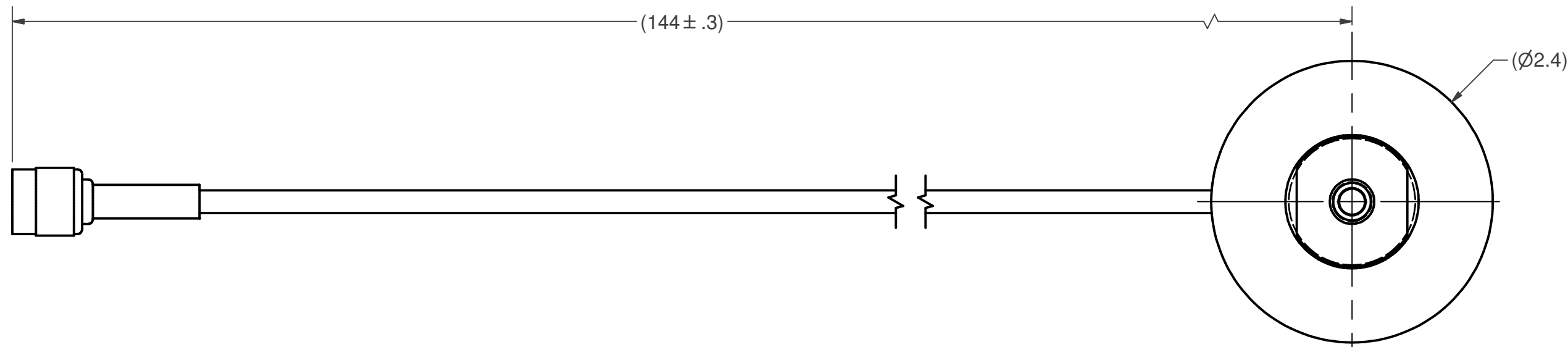
2

1

NOTES: UNLESS OTHERWISE SPECIFIED

1. ALL MATERIALS SHALL BE ROHS COMPLIANT.
2. A (REF) DIMENSION IS FOR INFORMATION PURPOSES ONLY AND NO TOLERANCE IS IMPLIED.

REVISION HISTORY			
REV	DESCRIPTION	DATE	APPROVED
D	OUTLINE DIMENSIONAL DRAWING [C04557]	04MAR10	ML



<p>UNLESS OTHERWISE SPECIFIED DIMENSIONS ARE IN INCHES</p> <p>FOR TOLERANCES NOT SPECIFIED USE: X.X ± 0.1, X.XX ± 0.01, X.XXX ± 0.005 ANGULAR ± 2°</p> <p>THIRD ANGLE PROJECTION</p> <p>PROPRIETARY DATA</p> <p>THE INFORMATION CONTAINED IN THIS DOCUMENT IS OF A PROPRIETARY NATURE. IT MAY NOT BE USED OR REPRODUCED WITHOUT EXPRESS WRITTEN PERMISSION OF PCTEL INC., BLOOMINGDALE, IL 60108</p>	<p>DRAWN: IP</p> <p>DATE: 8/31/2009</p>	<p>PCTEL, INC. BROADBAND TECHNOLOGY GROUP 471 BRIGHTON DRIVE BLOOMINGDALE, IL 60108 PH. 630-372-6800 FAX. 630-372-8077</p>
	<p>CHECKED:</p> <p>DATE:</p>	
	<p>APPROVED:</p> <p>DATE:</p>	
	<p>MATERIAL: SEE COMPONENT PRINTS</p> <p>FINISH: SEE COMPONENT PRINTS</p>	
<p>DESCRIPTION: GM, 12' 58U, CR TNC, CHR</p>		<p>DRAWING NO.: ODD_GMC</p>
<p>SIZE: B</p>	<p>SCALE: 1:1</p>	