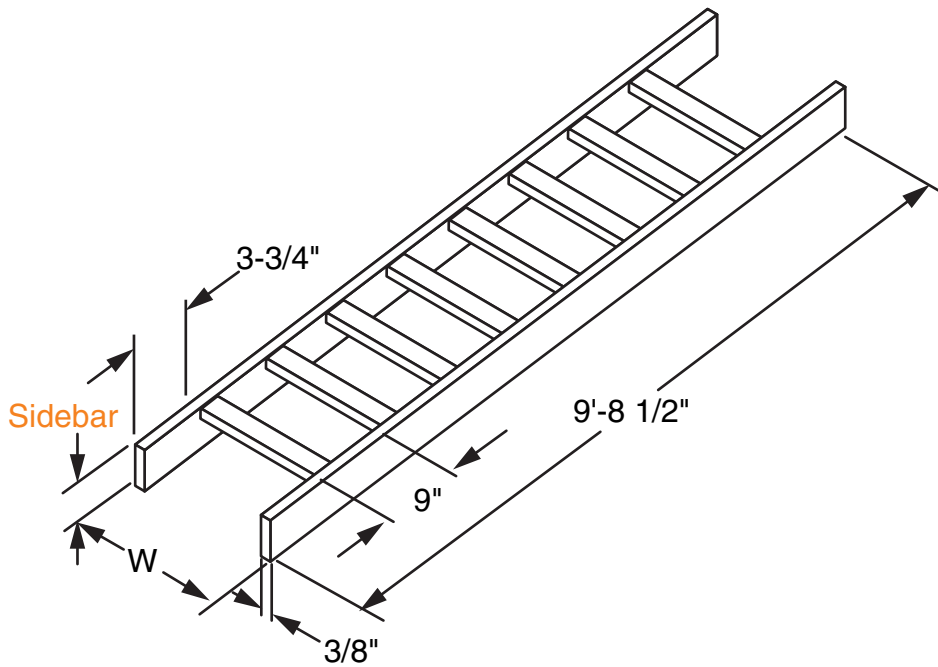


**CABLE RACK, CHANNEL TYPE, WITH 1-1/2" & 2" SOLID OR TUBULAR SIDE BAR**

Modified:12/19/2018

**AKA:** ladder rack, ladder tray, cable tray

**Description:** Typically used to manage copper wire and fiber cable in a data or telecommunication environment.



Reinforcement on  
25", 27", 30" and 36"  
wide cable rack

**Notes:**

- XX = finish code; standard finish, XX = 30.
- Certified as meeting National Electric Code (NEC) requirements for use as an equipment grounding conductor [NEC article 318-7; table 318-7 (b) (2)]; file number E112147 Certification label must not be removed
- Material: steel 1-1/2". Solid side bar Equipment Grounding Conductor (EGC) cross-section equals 1.12 Square inches 1-1/2" tubular side bar EGC Cross-section equals 0.45 Square inches.

**1-1/2" Sidebar Ordering Table**

Solid	Tubular	W
00200301xx	00200316xx	5"
00200302xx	00200317xx	6"
00200303xx	00200318xx	9"
00200304xx	00200319xx	10"
00200305xx	00200320xx	11"
00200306xx	00200321xx	12"
00200307xx	00200322xx	15"
00200308xx	00200323xx	18"
00200309xx	00200324xx	20"
00200310xx	00200325xx	21"
00200311xx	00200326xx	24"
00200312xx	00200327xx	25"
00200313xx	00200328xx	27"
00200314xx	00200329xx	30"
00200315xx	00200330xx	36"

**2" Sidebar Ordering Table**

Solid	Tubular	W
00200331xx	00200346xx	5"
00200332xx	00200347xx	6"
00200333xx	00200348xx	9"
00200334xx	00200349xx	10"
00200335xx	00200350xx	11"
00200336xx	00200351xx	12"
00200337xx	00200352xx	15"
00200338xx	00200353xx	18"
00200339xx	00200354xx	20"
00200340xx	00200355xx	21"
00200341xx	00200356xx	24"
00200342xx	00200357xx	25"
00200343xx	00200358xx	27"
00200344xx	00200359xx	30"
00200345xx	00200360xx	36"