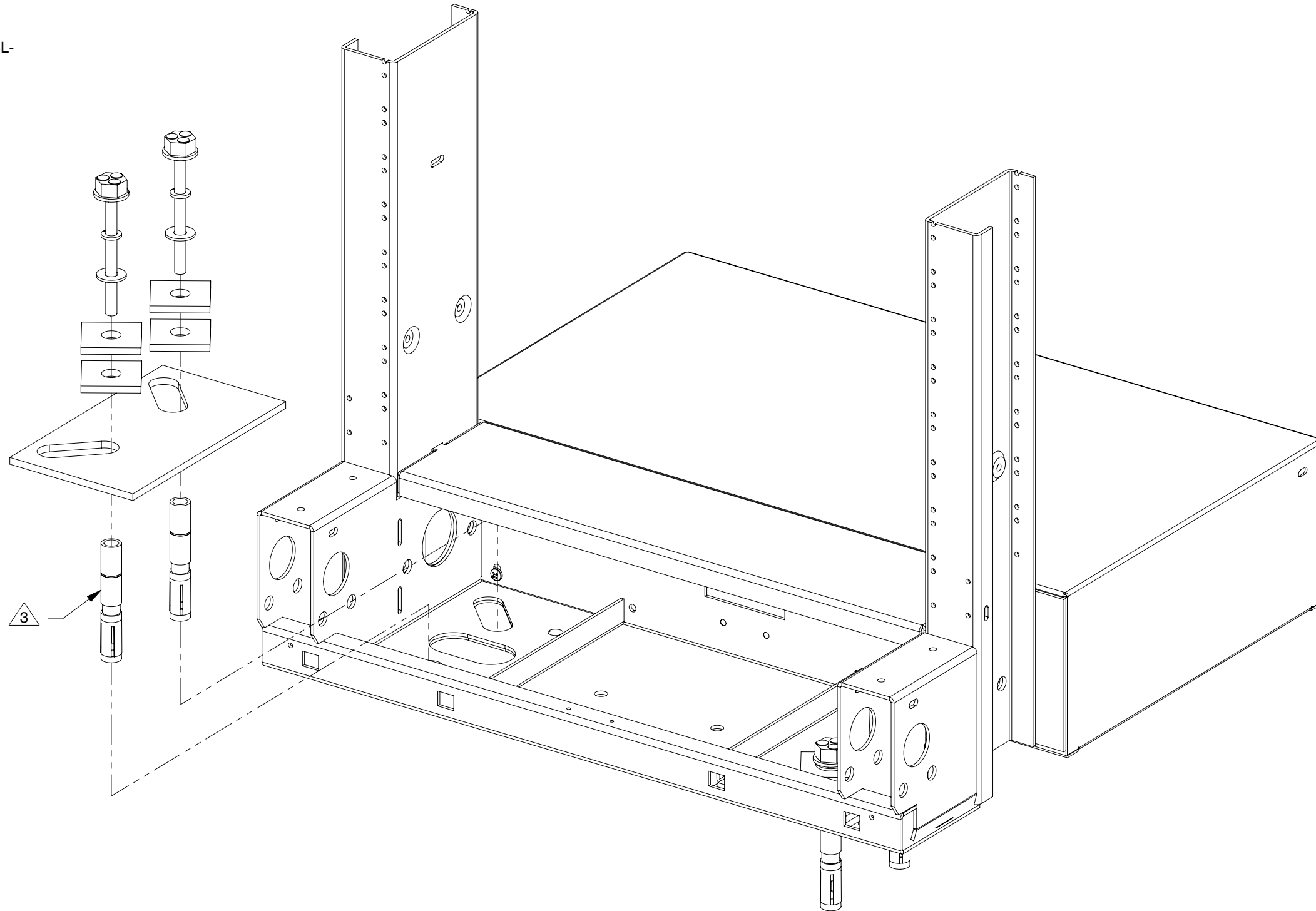


NOTES: (UNLESS OTHERWISE SPECIFIED)

1. CONFORMS IN ACCORDANCE WITH ALL  
TELECT WORKMANSHIP STANDARDS.

2. RACK SHOWN FOR REFERENCE ONLY.

3. ANCHOR: HILTI HVY DUTY EXPANSION, HSL-  
3-B M12/25.



A0	---	CORRECT TITLE BLOCK PROPERTIES	2/5/2018	TMT
A0	---	ADDED HILTI ANCHOR PART # TO NOTES	4/30/2014	TMT
A0	---	UPDATE VIEW	4/8/2014	DHK
REV	ECO	DESCRIPTION	DATE	BY

drawing no	customer drawing	rev	units
02100-113B	ANCHR KIT W/WIDE PLATES FOR EQ UFRKS 'B' ANCHOR	A0	inch

designed by	date
---	9/11/2006
drawn by	date
M. SCHULZ	9/11/2006

tolerances (unless otherwise specified)	hole size: ±.005	angularity: ±1°
.X ±.060		
.XX ±.020		
.XXX ±.010		

sheet	sheet size	scale	project	projection
1 of 1	B	NTS	---	



**Amphenol Telect**