

REV	ECO	DESCRIPTION	DATE	BY
A1	---	REV TO MATCH BOM	10/18/2005	MTZ

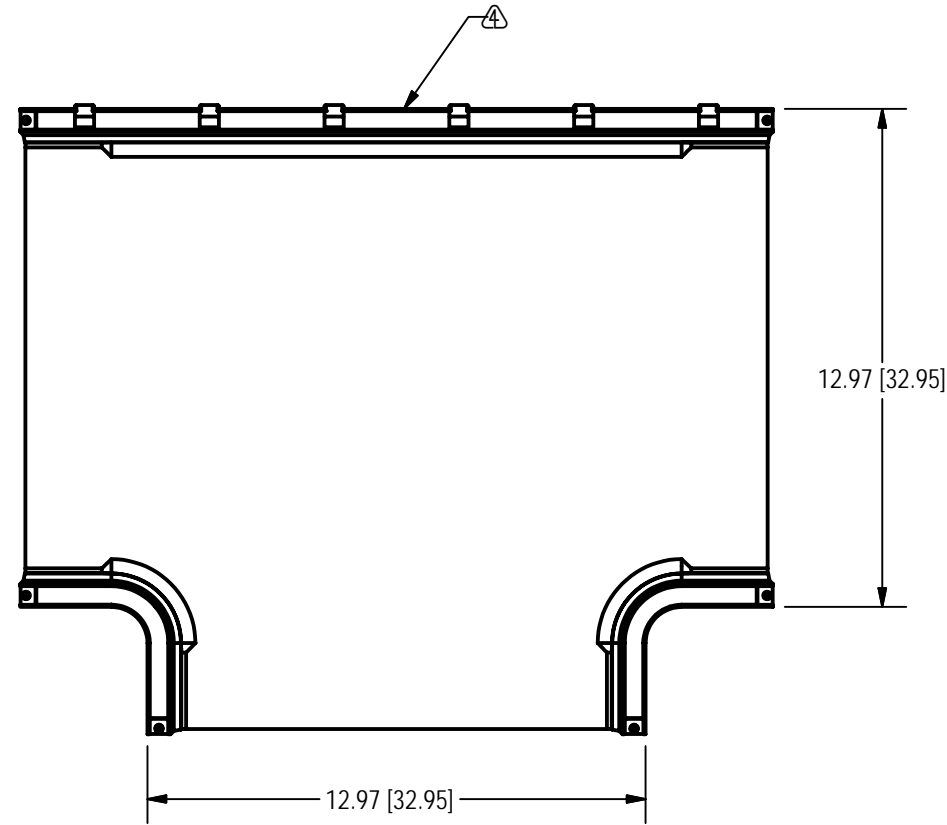
NOTES: (UNLESS OTHERWISE SPECIFIED.)

1. DIMENSIONS ARE IN INCHES [CENTIMETERS].

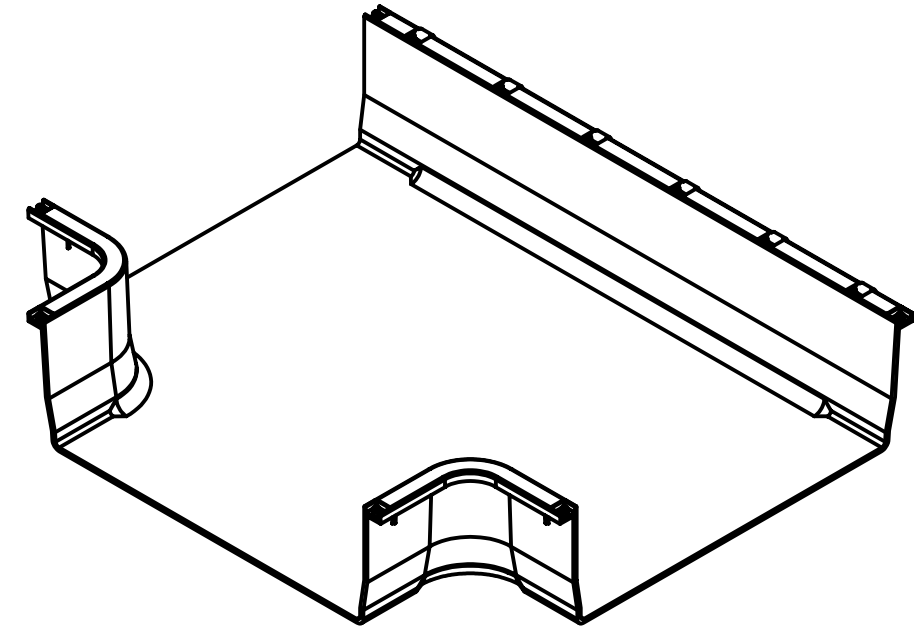
2. DIMENSIONS ARE FOR REFERENCE ONLY.

Ⓐ CUSTOMER PART NUMBER MOLDED INTO THIS SURFACE.

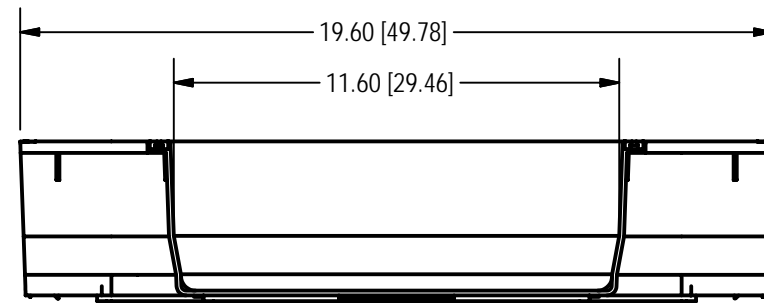
Ⓐ CUSTOMER TO PLACE DECAL ON DESIGNATED SURFACE.



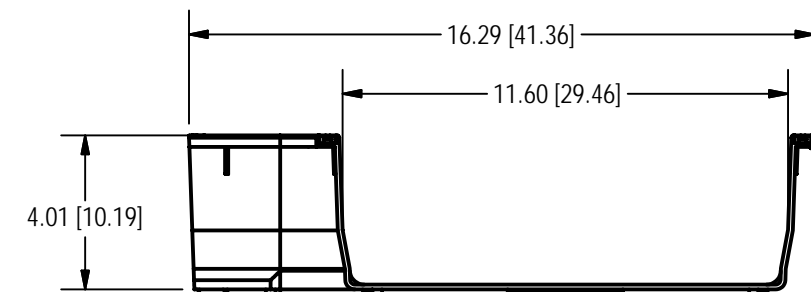
TOP VIEW




ISOMETRIC VIEW



FRONT VIEW



SIDE VIEW

DESIGNED BY T. THOM	DATE 3/13/2000	 CONNECTING THE FUTURE	N 2111 Molter Road PO Box 665 Liberty Lake, Washington 99019 (509) 926-6000	
DRAWN BY T. TURPIN	DATE 11/29/2000		TITLE CUSTOMER DRAWING	
NOT FOR REPRODUCTION COPYRIGHT: 2000 This document contains proprietary information that is property of TELECT, INC., Spokane, Washington. It is intended for the exclusive use of our customer for information, installation, and/or service. The recipient agrees not to reproduce or copy this document or its contents in whole or in part without prior written permission from TELECT, INC. This document must be returned promptly if no longer needed or upon written request from TELECT, INC.		CMS, K124 T-TRANSITION (PLASTIC)		
DRAWING NO 027-2000-12410		SHEET SIZE B	ISSUE A	
PROJECT 4032	SCALE 0.20 : 1.0	SHEET 1 OF 1	REV 1	