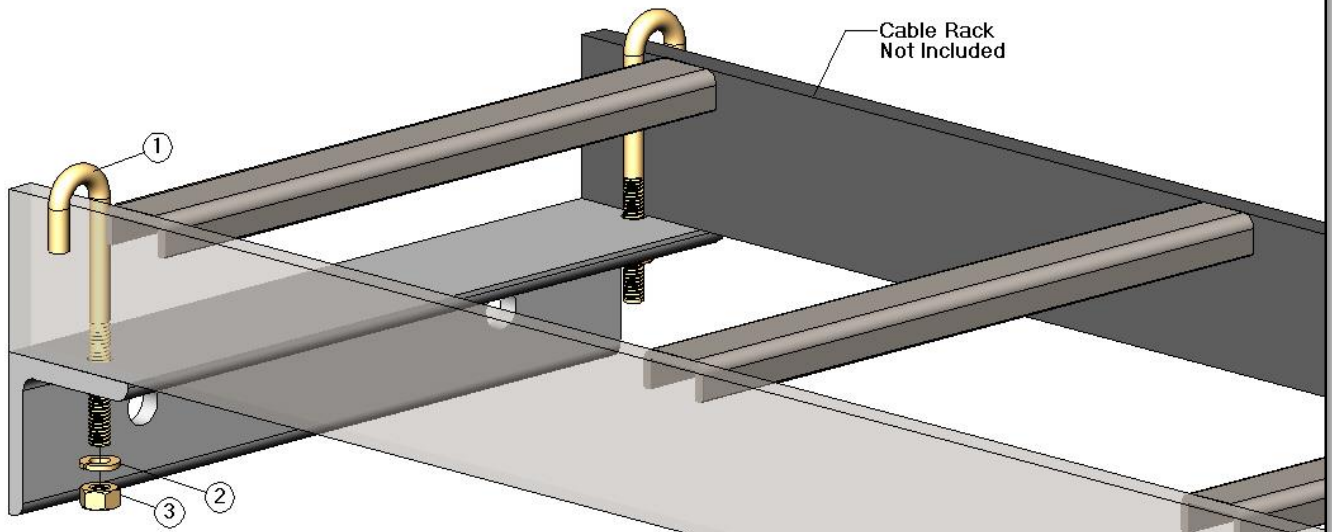
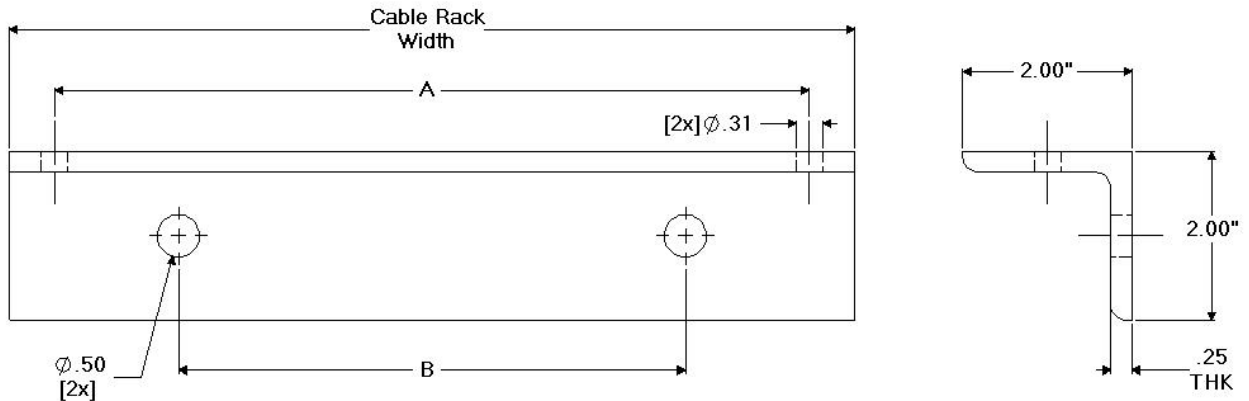


WAXX Series - Wall Angles



| WAXX Series - Wall Angles | | | |
|---------------------------|-----------|-----------------|--------|
| CSF P/N# | C/R Width | A | B |
| WA05 | 5.00" | 3.94" | 2.00" |
| WA06 | 6.00" | 3.94"/ 4.94" | 4.00" |
| WA12 | 12.00" | 10.94" | 8.00" |
| WA15 | 15.00" | 13.94" | 11.00" |
| WA18 | 18.00" | 16.94" | 12.00" |
| WA20 | 20.00" | 18.94" | 14.00" |
| WA24 | 24.00" | 22.94" | 18.00" |
| WA25 | 25.00" | 23.94" | 19.00" |
| WA36 | 36.00" | 34.94" | 30.00" |

| 1.50" Cable Rack Stringer [K1] | | |
|--------------------------------|------------------------------|-----|
| CSF P/N# | Description | QTY |
| JB243 | 1/4-20 J Bolt x 2.25" Length | 2 |
| LW154 | 1/4" Spring Lock Washer | 2 |
| HN144 | 1/4-20 Hex Nut | 2 |

| 2.00" Cable Rack Stringer [K2] | | |
|--------------------------------|------------------------------|-----|
| CSF P/N# | Description | QTY |
| JB242 | 1/4-20 J Bolt x 3.25" Length | 2 |
| LW154 | 1/4" Spring Lock Washer | 2 |
| HN144 | 1/4-20 Hex Nut | 2 |

Notes:
 - Add "K1" or "K2" to item to include J bolt Kit.
 - Example: WA12K2
 - Finishes: See finish codes
 - Cable Rack - Not Included

Specifications subject to change. Please contact CSF Customer Service for more information.