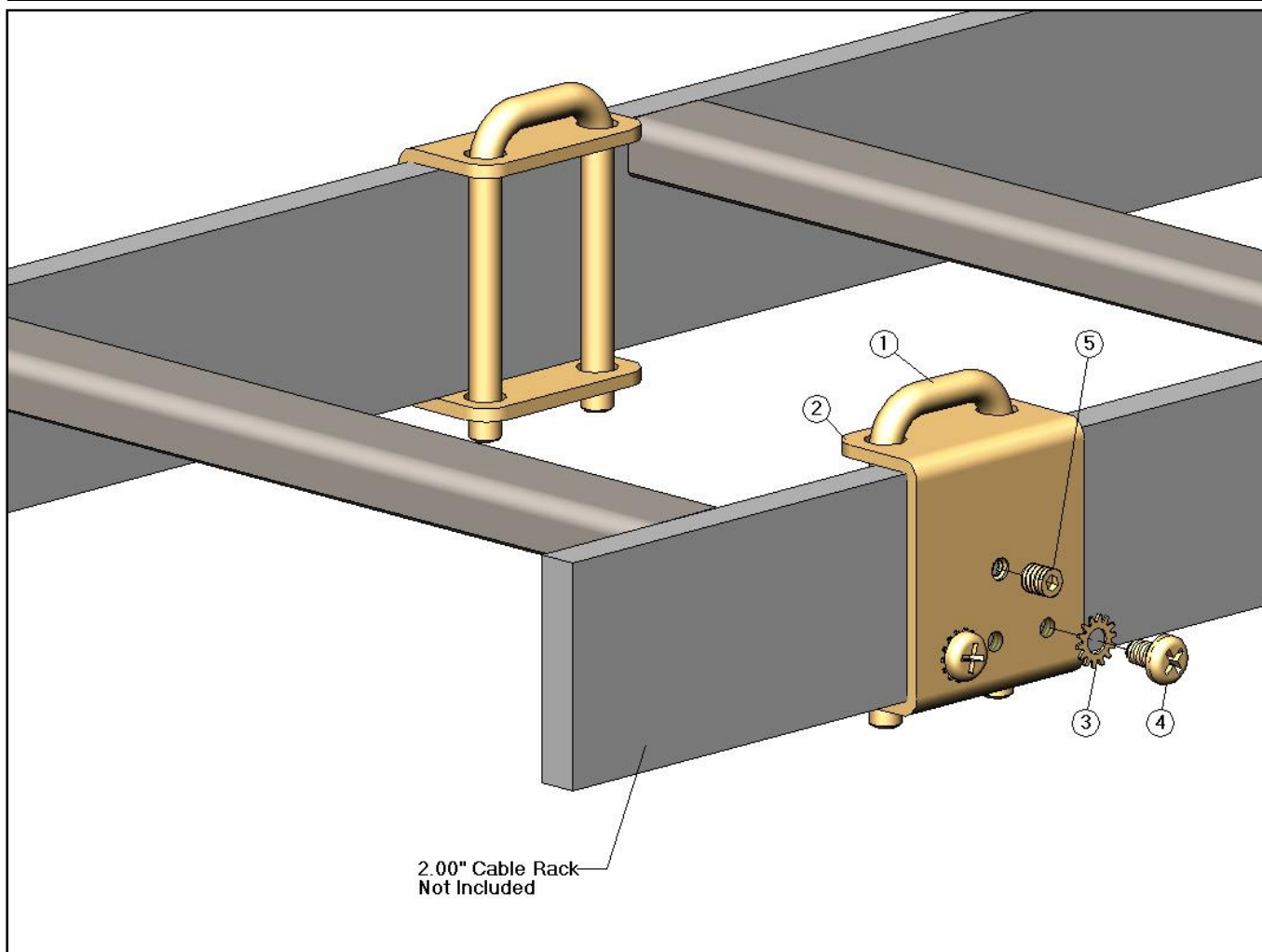


**GJB20K01 - Ground Jumper 2.00" Bracket Kit**



**GJB20K01 - Ground Jumper 2.00" Bracket Kit**

Item	CSF P/N#	QTY	Description
1	WH00	1	Wire Horn
2	GJB20	1	2.00" Ground Jumper Bracket
3	LWE153	2	#12 External Tooth Lock Washer
4	PH0401FST	2	12-24 X 3/8" PH PHIL Cutting
5	SS0600	1	1/4-20 Socket Set Screw

**Notes:**

- GJB20 Ground Jumper Bracket for 2.00" Cable Rack Stringer only.
- Cable Rack - Not Included
- Finish: zinc yellow

Specifications subject to change. Please contact CSF Customer Service for more information.

**250**